

Samsung PC modules

Slide-in, setback box and plug-in modules for Samsung large format displays (LFDs)



Highlights

- Easily install modules by either sliding or plugging the unit into a Samsung LFD
- Eliminate the need for bulky, heavy equipment with the modules' slim and lightweight design
- Rely on powerful performance provided by dual or quad-core processing
- Select specifications based on a variety of usages

Assemble complete digital signage solutions with Samsung PC modules and compatible LFDs

With easy-to-install PC modules, companies can transform Samsung LED LFDs into all-inclusive digital signage solutions that best accommodate their specific business needs. Samsung offers these types of PC modules for several LFD models:

- Slide-in Module Network Type (SIM-NT)
- Setback Box Type A (SBB-A)
- Plug-in Module (PIM)

Slide or plug a module into a compatible LFD to play digital signage content without dismantling the unit from the wall. The PC modules eliminate the need for an external PC and cables, maintaining a clutter-free display environment. Using a PC module not only reduces equipment costs, but also facilitates efficient space management and creates a simplified environment.

Streamline the display environment with Samsung slide-in PC modules

The Samsung SIM-NT and SBB-A provide:

- Equipment that slides into a Samsung LFD
 - Installs easily
 - Requires no additional space for PC options
- Slim, lightweight design that eliminates the need to carry mobile computers or move heavy desktop computers
- Embedded Samsung MagicInfo™ Premium digital signage software that simplifies creation and display of content
- Powerful performance
 - Provides robust, fast performance with dual-core processors
 - Includes quad-core processors in some SBB-A models for even faster performance

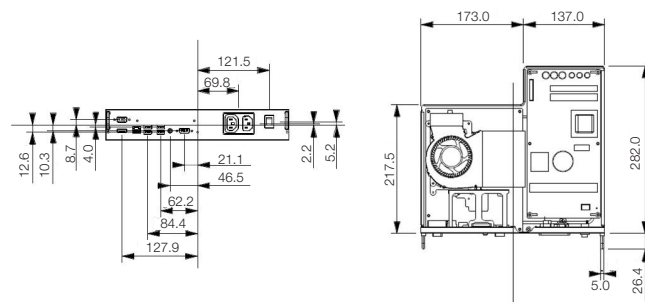
Maintain the PC module without dismantling the installation.

Create seamless signage with the plug-in PC module for slim-edged Samsung LED LFDs

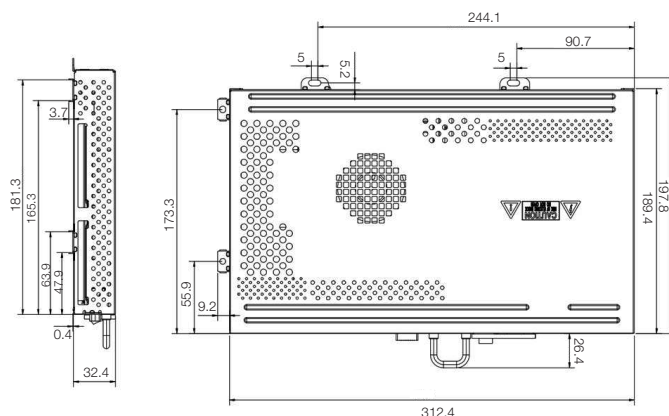
The Samsung PIM offers:

- Slim and lightweight design
 - Features a PC setback box with a depth that fits perfectly with slim-edged Samsung LFDs
- Convenience
 - Just plugs in; requires no extra connection cables
 - Transfers power and signal internally
- Different specifications for a variety of uses
 - Includes Microsoft® Windows® 7 for digital signage solutions
 - Includes Microsoft Windows 7 Professional for professional users
 - Includes e-Board and Magic Interactive WhiteBoard (IWB) software for e-Board solution users
- Supports any device that complies with Intel® Open Pluggable Specification (OPS)

Samsung SIM-NT



Samsung SBB-A



Samsung PIM

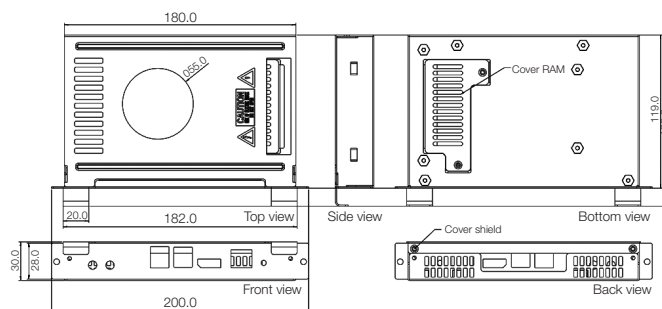


Figure 1. Samsung slide-in and plug-in PC modules schematics

Samsung PC Modules

Specifications

Model	SIM-NT		SBB-A	
CPU	AMD A4-3300M (2.1 GHz dual, boost up to 2.5 GHz) AMD A8-3500M (1.8 GHz quad, boost up to 2.5 GHz)		AMD Athlon II Dual (2.9 GHz)	
Graphics	AMD Radeon HD6400M Series (dual, integrated) AMD Radeon HD6600M Series (quad, integrated)		AMD RS780 (IGP)	
FDM/HDD	16 GB/32GB SSD		32 GB SSD	
Memory	2 GB/4 GB DDR3		1 GB/2 GB DDR3	
IO port	MagiInfo™	Single-channel DisplayPort (up to 1080p)		
	Second video	DisplayPort out	VGA out	
	LAN	Gigabit Ethernet LAN (RJ45)		
	USB	External USB 2.0 ports x 2 External USB 3.0 ports x 2	External USB 2.0 ports x 4	
	Audio	Built-in MagiInfo™ out port	Mini jack	
Dimensions	Set	310 mm x 219 mm x 32 mm (12.2 in. x 8.6 in. x 1.3 in.)	310 mm x 282 mm x 52.2 mm (12.2 in. x 11.1 in. x 2.1 in.)	
Weight	Set	1.8 kg (4 lb)	2.5 kg (5.5 lb)	

Model	PIM SBB-PD32BV2/EN	PIM SBB-PQ32BV4/EN	PIM SBB-PQ28BP4/EN
APU	AMD A4-3310M	AMD A8-3510M	AMD A8-3510M
	2.1 GHz dual-core (boost up to 2.5 GHz)	1.8 GHz quad-core (boost up to 2.5 GHz)	1.8 GHz quad-core (boost up to 2.5 GHz)
	256 KB (L1)/1 MB (L2) cache		
Memory	2 GB DDR3 SO-DIMM x 1	4 GB DDR3 SO-DIMM x 1	4 GB DDR3 SO-DIMM x 1
Storage	32 GB SSD	32 GB SSD	128 GB SSD
Graphics	AMD Radeon HD6400 Series (integrated on APU)	AMD Radeon HD6600 Series (integrated on APU)	Radeon HD6600 Series (integrated on APU)
Operating system	Microsoft Windows Embedded Standard 7	Microsoft Windows Embedded Standard 7	Microsoft Windows 7 Professional for Embedded Systems
IO port	80-pin OPS port		
	DisplayPort out		
	Gigabit Ethernet (RJ45)		
	USB 2.0 port x 2, USB 3.0 port x 2		
	Mic in		
	Audio out		
Dimensions	TBD	TBD	TBD
Weight	TBD	TBD	TBD

PC module compatibility with Samsung LFDs

Type	SIM-NT	SBB-A	PIM
Samsung LFDs	-	ME 40/46/55A	ME65/75B
	-	UE 46/55A	-
	-	DE 40/46/55A	-
	-	UD 46/55A	-
	400/460/550DX-3	700/820DX-3	-
	400/460MX-3	700MX-3	-
	400/460TS-3	-	-

Legal and additional information

About Samsung Electronics Co., Ltd.

Samsung Electronics Co., Ltd. is a global leader in semiconductor, telecommunication, digital media and digital convergence technologies with 2011 consolidated sales of US\$143.1 billion. Employing approximately 222,000 people in 205 offices across 71 countries, the company operates two separate organizations to coordinate its nine independent business units: Digital Media & Communications, comprising Visual Display, Mobile Communications, Telecommunication Systems, Digital Appliances, IT Solutions, and Digital Imaging; and Device Solutions, consisting of Memory, System LSI and LCD. Recognized for its industry-leading performance across a range of economic, environmental and social criteria, Samsung Electronics was named the world's most sustainable technology company in the 2011 Dow Jones Sustainability Index. For more information, please visit www.samsung.com.

For more information

For more information about Samsung PC modules, visit www.samsunglfd.com.



Copyright © 2012 Samsung Electronics Co. Ltd. All rights reserved. Samsung is a registered trademark of Samsung Electronics Co. Ltd. Specifications and designs are subject to change without notice. Non-metric weights and measurements are approximate. All data were deemed correct at time of creation. Samsung is not liable for errors or omissions. All brand, product, service names and logos are trademarks and/or registered trademarks of their respective owners and are hereby recognized and acknowledged.

Intel is a registered trademark of Intel Corporation or its subsidiaries in the United States and other countries.

Microsoft and Windows are trademarks of Microsoft Corporation in the United States, other countries, or both.

Samsung Electronics Co., Ltd.
416, Maetan 3-dong,
Yeongtong-gu
Suwon-si, Gyeonggi-do 443-772,
Korea

www.samsung.com
