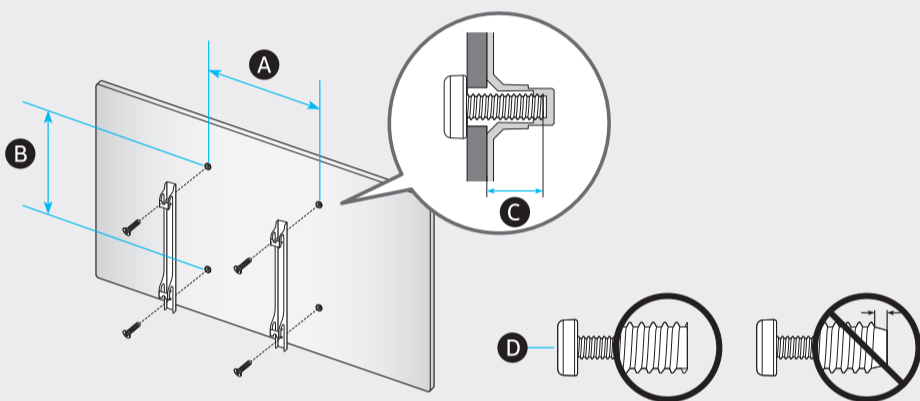
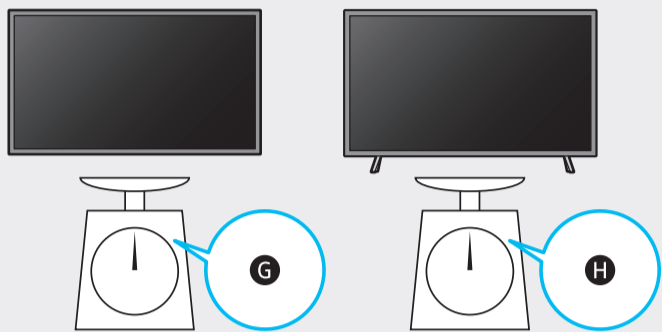


|         | A   | B                                       | C                                    | D                                       | E                                      | F                         | G                     | H                     |
|---------|---|---|--------------------------------------|---|--|---------------------------|-----------------------|-----------------------|
| BE43A** | 37.9 inches<br>(963.9 mm)<br>(96.39 cm)   | 22.0 inches<br>(558.9 mm)<br>(55.89 cm) | 2.3 inches<br>(59.6 mm)<br>(5.96 cm) | 24.7 inches<br>(627.8 mm)<br>(62.78 cm) | 7.6 inches<br>(192.5 mm)<br>(19.25 cm) | 42.5 inches<br>(1079 cm)  | 179 lbs<br>(8.1 kg)   | 18.3 lbs<br>(8.3 kg)  |
| BE50A** | 44.0 inches<br>(1116.8 mm)<br>(111.68 cm) | 25.4 inches<br>(644.2 mm)<br>(64.42 cm) | 2.4 inches<br>(59.9 mm)<br>(5.99 cm) | 28.3 inches<br>(719.1 mm)<br>(71.91 cm) | 9.9 inches<br>(250.2 mm)<br>(25.02 cm) | 49.5 inches<br>(125.7 cm) | 25.1 lbs<br>(11.4 kg) | 25.6 lbs<br>(11.6 kg) |
| BE55A** | 48.4 inches<br>(1230.5 mm)<br>(123.05 cm) | 27.8 inches<br>(707.2 mm)<br>(70.72 cm) | 2.4 inches<br>(59.9 mm)<br>(5.99 cm) | 30.8 inches<br>(783.3 mm)<br>(78.33 cm) | 9.9 inches<br>(250.2 mm)<br>(25.02 cm) | 54.6 inches<br>(138.7 cm) | 30.6 lbs<br>(13.9 kg) | 31.3 lbs<br>(14.2 kg) |

\*: 0-9, A-Z



|         | VESA A x B (mm) | C (mm) | D x 4 |
|---------|-----------------|--------|-------|
| BE43A** | 200 x 200       | 20-22  | M8    |
| BE50A** |                 |        |       |
| BE55A** |                 |        |       |

\*: 0-9, A-Z

# SAMSUNG

## QUICK SETUP GUIDE

## GUIDE D'INSTALLATION RAPIDE

## GUÍA RÁPIDA DE CONFIGURACIÓN

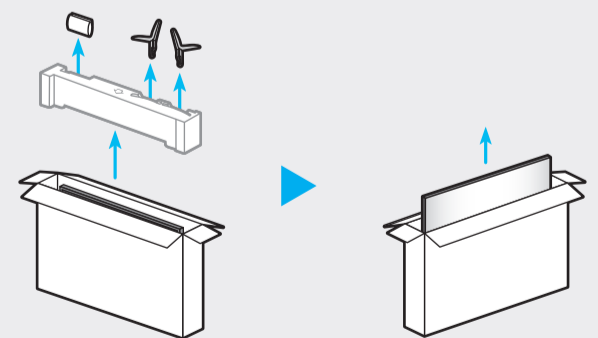
## GUIA RÁPIDO DE INSTALAÇÃO



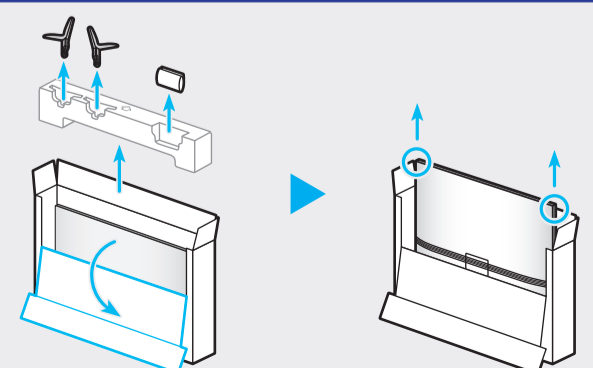
BN68-12304A-00

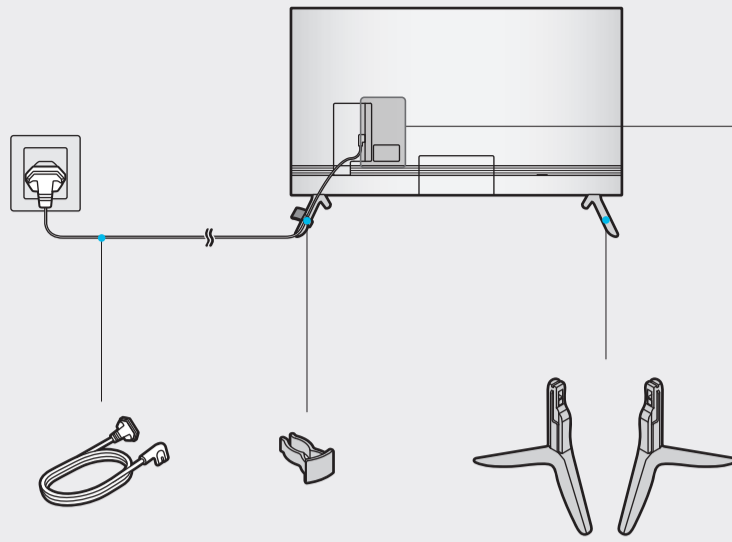


43"  
-  
50"



55"



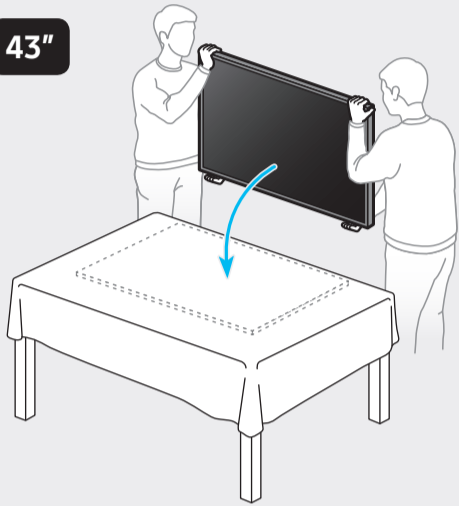


|  |  |             |
|--|--|-------------|
|  |  | USB +C      |
|  |  | OPTICAL     |
|  |  | HDMI (eARC) |
|  |  | HDMI        |
|  |  | LAN         |
|  |  | ANT         |

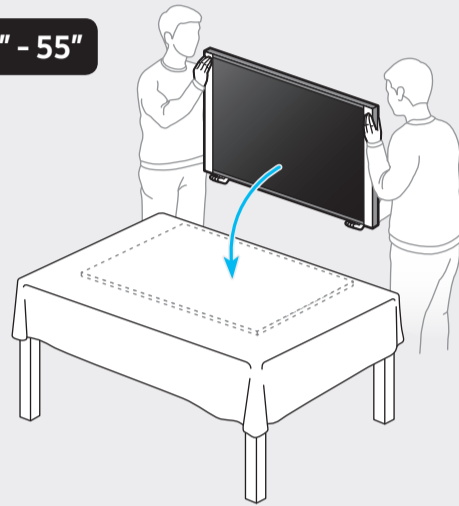


1

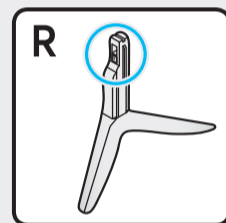
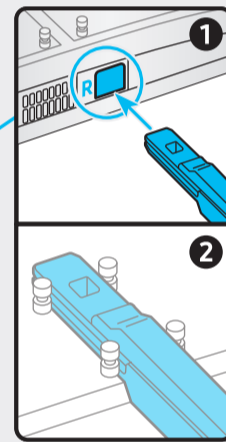
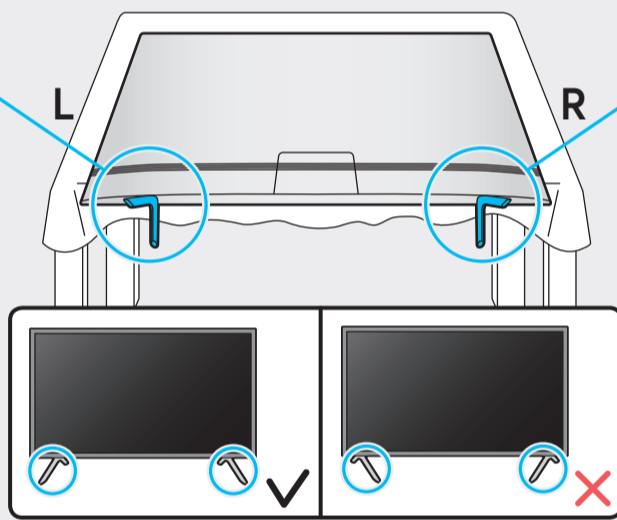
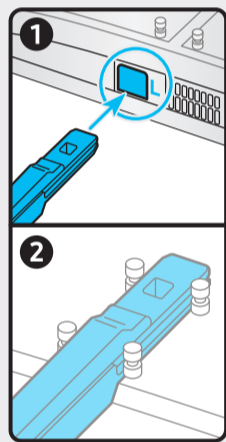
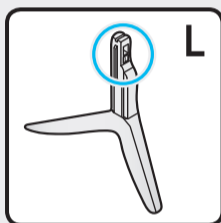
43"



50" - 55"

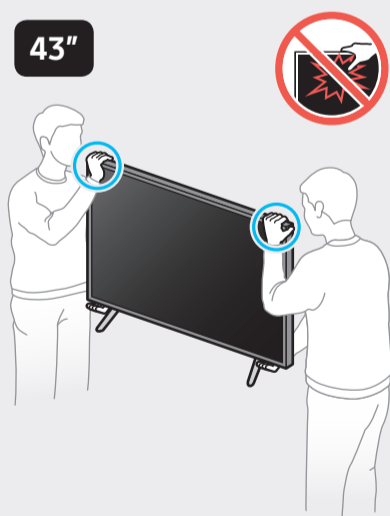


2



3

43"

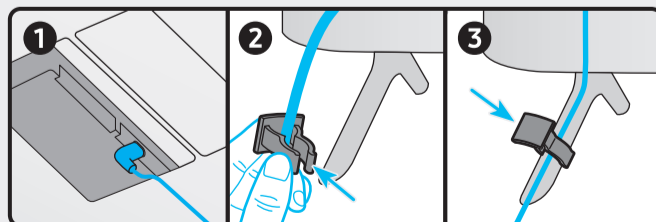
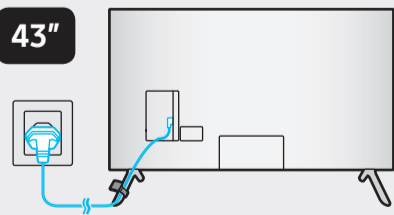


50" - 55"



4

43"



50" - 55"

