

# Quick Setup Guide

Guide d'installation rapide  
Guía rápida de configuración

To register this product please visit [www.samsung.com/register](http://www.samsung.com/register).



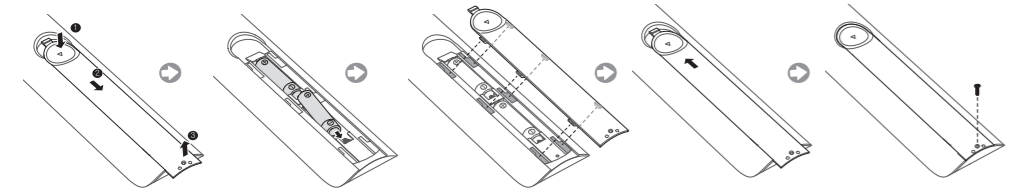
BN68-08719A-04

## 1. List of Parts

The provided accessories may vary depending on the model.

<b>1</b>	<b>2</b>	<b>3</b>
Remote Control (AA59-00817A) & Batteries (AAA x 2)	Power Cord	Data Cable (depending on the model) (BN39-00865B, BN39-01011E)
<b>4</b>	<b>5</b>	<b>6</b>
Safety Guide / Quick Setup Guide / Regulatory Guide	Cable Guide	Hotel Mount Kit • This accessory is not provided with the HG75NF690U model.

## 2. Installing the batteries (Battery size: AAA)



After you have installed the batteries, use a screwdriver to screw in the screw that holds the battery cover closed.

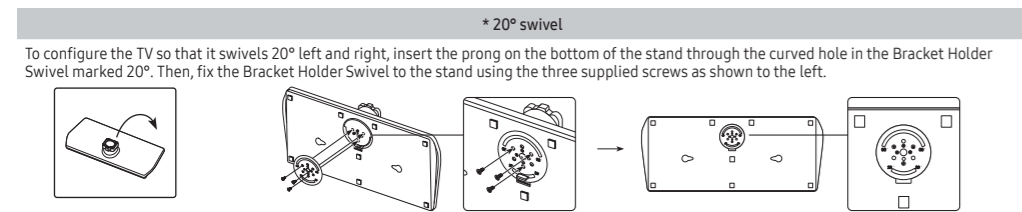
## 3. Installing the LED TV Stand

Assembling the swivel

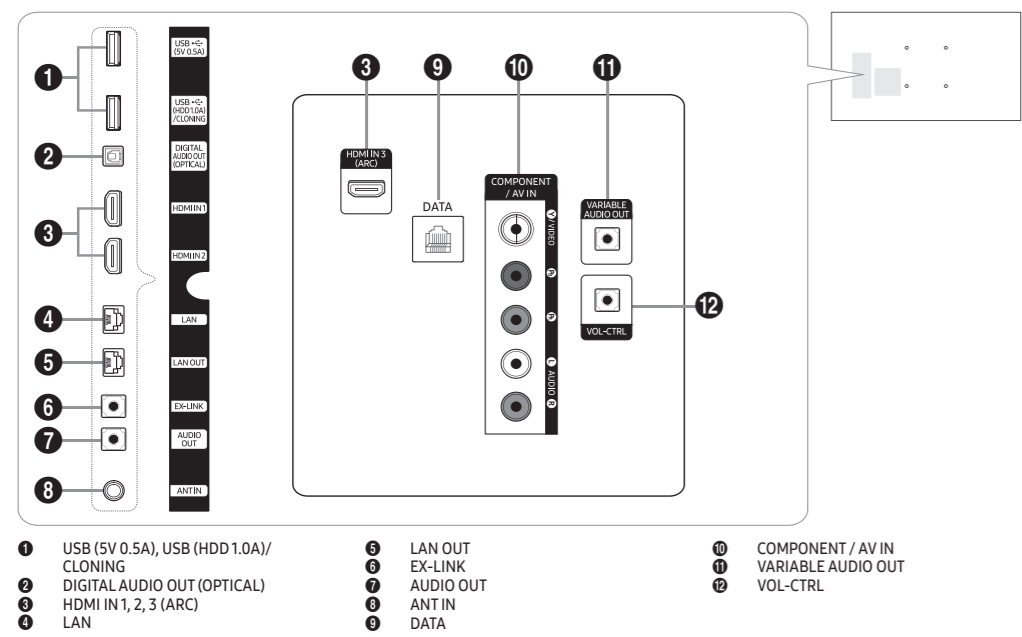
**⚠ WARNING:** If you configure the TV to swivel, you must attach it securely to the floor, a desk, a dresser top, etc. as described in the installation instructions.

The LED TVs have swivel stands. You can configure these stands so that the TVs swivel 20 degrees left and right, 60 degrees left and right, or 90 degrees left and right using the BRACKET HOLDER SWIVEL.

\* The product ships with its stand's swivel angle set to 20°.



## 4. Viewing the Connection Panel



**Notice** The Channel menu items in the Menu OSD, except for Channel List, are deactivated. If you need to change the channel line up, use the Channel Setup item in the Hotel option menu.

- When using REACH Solution or H.Browser Solution through Virtual Standby mode gets set to be On.
- If power cable is reconnected after being plugged out, it may take up to 2 minutes for booting time.

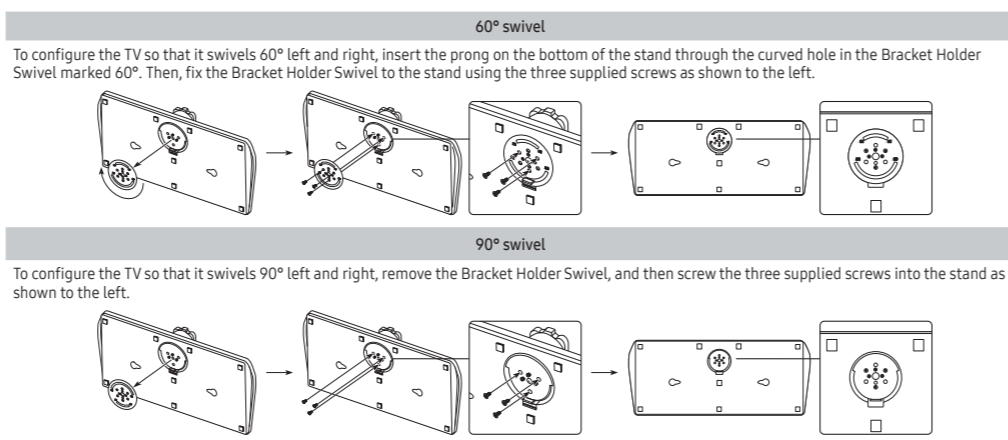
## 5. Soundbar(AirTrack)

Samsung Soundbar(AirTrack) and Hospitality TVs in 2017

- Samsung Soundbar(AirTrack) and hospitality TVs support the HDMI ARC feature if you connect a compatible Samsung Soundbar(AirTrack) to a compatible Samsung hospitality TV using a single HDMI cable, guests can listen to the TV's sound through the Soundbar(AirTrack).
- The item of Soundbar(AirTrack) Out in Hospitality Option Menu makes you control to where the TV sound is outputted when the TV is turned on. If Sound bar Out is On, the TV sound is automatically outputted in the Soundbar(AirTrack) device only whenever TV is turned on. If Sound bar Out is Off, the TV sound is automatically outputted in the TV speaker only whenever TV is turned on.
- Models supporting the ARC function are listed below:
  - Sound-Bars: HW-K450/K550
  - HW-M550/M450/M4500

Setting the Soundbar(AirTrack) to Hotel Mode.

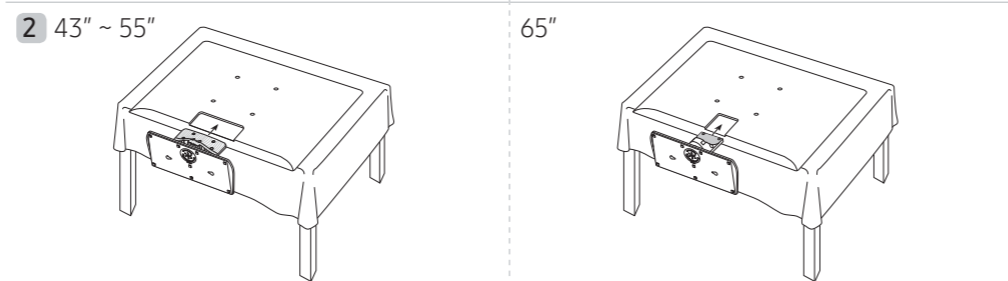
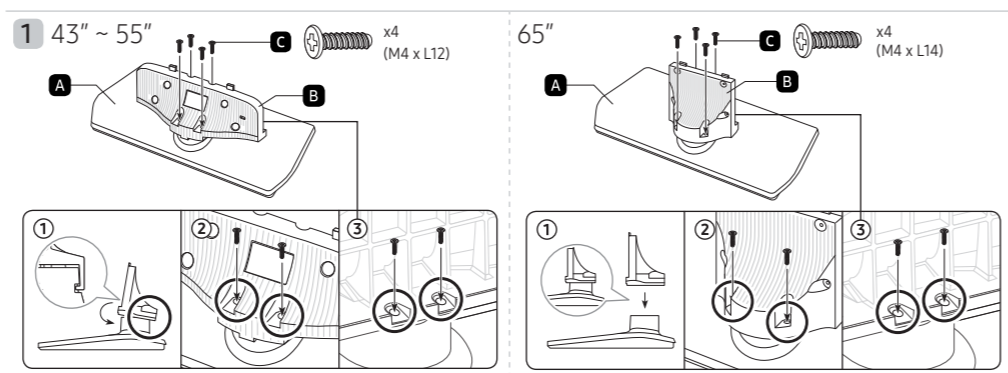
- Set the following Hotel menu options:
  - Hotel option > System > Sound Bar Out = On.
  - Hotel option > Power On > Power On Volume = User Defined.
  - Hotel option > Power On > Power On Volume Num > Set greater than 0.
  - Hotel option > Power On > Max Volume > Set greater than 0.
- Connect an HDMI cable from the HDMI OUT jack on the back of the Soundbar(AirTrack) to the HDMI IN 3 port (supporting ARC) on the hospitality TV.
- After the Soundbar(AirTrack) is connected to the hospitality TV, when the TV turns on, the Soundbar(AirTrack) automatically detects the TV, and then automatically switches to Hotel Mode.



Components (43"~65")

When installing the stand, use the provided components and parts.

<b>A</b>	<b>B</b>	<b>C</b>
43" ~ 55"	65"	43" ~ 55": BN96-29120C (8EA: M4 x L12) 65": BN96-32380B (4EA: M4 x L14)
<b>D</b>	<b>E</b>	
65": BN96-27704A (4EA: M4 x L12)	43"~65": 4EA (M4 x L12, SECURITY)	



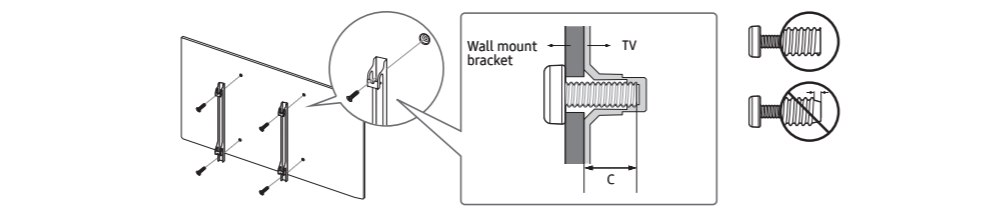
- Place a soft cloth over the table to protect the TV, and then place the TV on the cloth screen-side down.
- Insert the Stand Guide into the slot on the bottom of the TV.
- Slide and assemble it to the end line in the direction of arrow.

Soundbar(AirTrack) Hotel mode functional characteristics:

- Power On/Off is synchronized with the TV
- HDMI\_CEC defaults set to On
- Functions through the "HDMI OUT" port only
- Disables the "Input mode" key on the VFD to prevent unexpected audio-source changes.
- Acquires adjustable Power On and Max Volume settings from the TV's Hotel option menu. Soundbar's Power On Volume and Max Volume values, however, are 1/2 of Power On Volume and Max Volume settings in the TV's Hotel option menu. Example: If the TV's Power On Volume=20 and Max Volume=90, then Soundbar's Power On Volume=10 (Up to 20) and Max Volume=45.

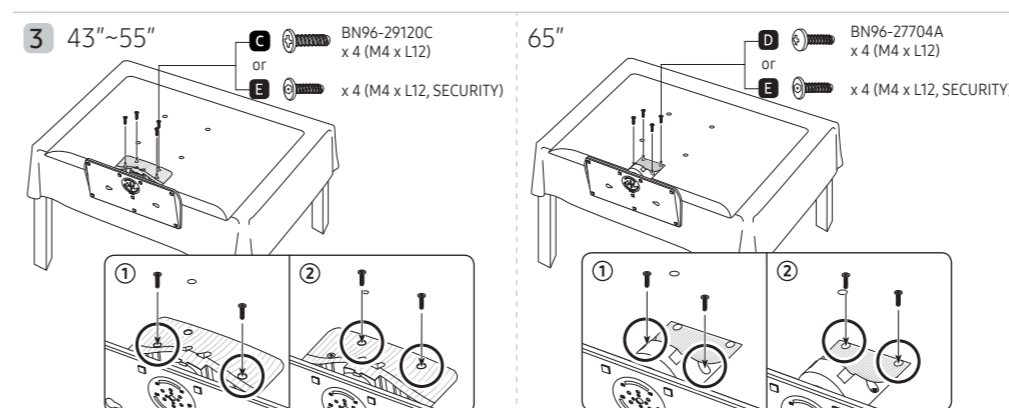
## 6. Wall Mount Kit Specifications (VESA)

- Install your wall mount on a solid wall, perpendicular to the floor. When attaching to other building materials, please contact your nearest dealer. If installing on a ceiling or slanted wall, TV may fall and result in severe personal injury.
- Standard dimensions for wall mount kits are shown in the table below.
  - Samsung wall mount kits contain a detailed installation manual. All parts necessary for assembly are provided.
  - Do not use screws that do not comply with VESA standard screw specifications.
  - Do not use screws that are longer than the standard dimension or do not comply with the VESA standard screw specifications. Screws that are too long may cause damage to the inside of the TV.
  - For wall mounts that do not comply with the VESA standard screw specifications, the length of the screws may differ depending on the wall mount specifications.
  - Do not fasten the screws too firmly. This may damage the product or cause the product to fall, leading to personal injury. Samsung is not liable for these kinds of accidents.
  - Samsung is not liable for product damage or personal injury when a non-VESA or non-specified wall mount is used or the consumer fails to follow the product installation instructions.
  - Do not mount the TV at more than a 15 degree tilt.
  - Always have two people mount the TV on a wall.

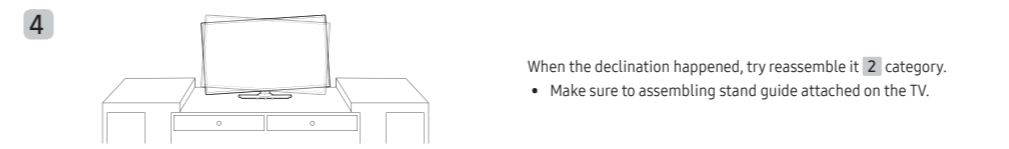


TV size in inches	VESA screw hole specs (A * B) in millimeters	C (mm)	Standard Screw (Length*Pitch in mm)	Quantity
43	200 x 200	18 ~ 20	M8	4
50 ~ 65	400 x 400	20 ~ 22		
75				

**⚠** Do not install your Wall Mount Kit while your TV is turned on. It may result in personal injury due to electric shock.



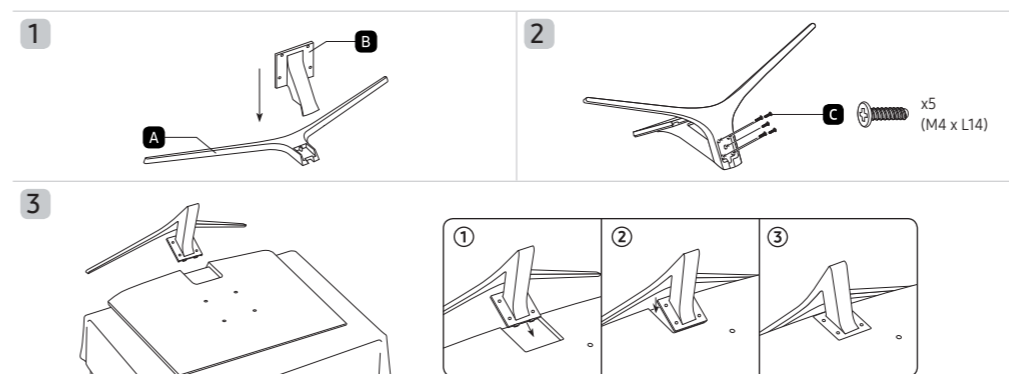
Tight the bottom screw first, and upper screw last.  
Progress the assembly of screw in the manual's order.



NOTE  
Make sure to distinguish between the front and back of each component when assembling them.  
Make sure that at least two persons lift and move the TV.

Components (75")  
When installing the stand, use the provided components and parts.

<b>A</b>	<b>B</b>	<b>C</b>
Stand / Support / Soporte (1 EA)	Guide Stand / Guide du support / Guía del soporte (1 EA)	Screws / Vis / Tornillos



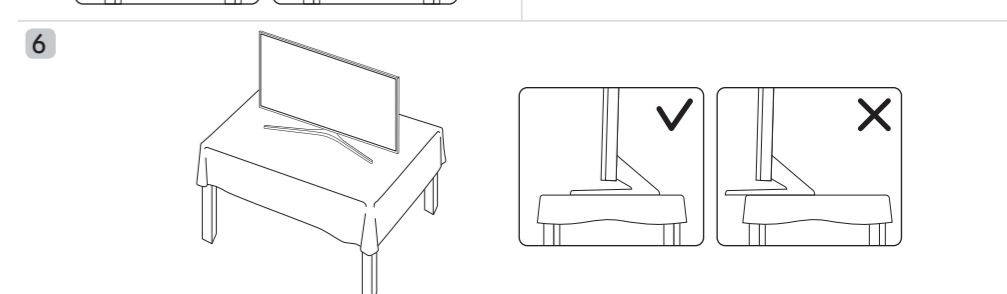
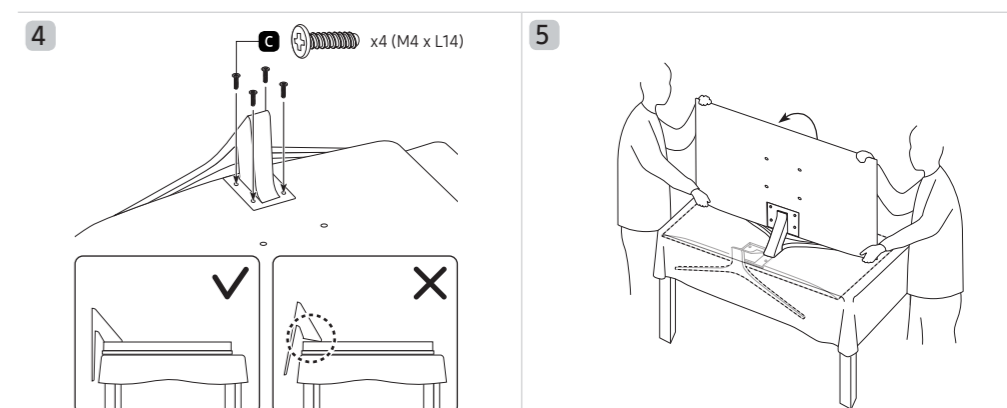
- Place a soft cloth over the table to protect the TV, and then place the TV on the cloth screen-side down.
- Insert the Stand Guide into the slot on the bottom of the TV.
- Slide and assemble it to the end line in the direction of arrow.

## 7. Specifications

Environmental Considerations	Operating Temperature	50°F to 104°F (10°C to 40°C)
Operating Humidity	Storage Humidity	10% to 80%, non-condensing
Storage Temperature	Storage Humidity	-4°F to 113°F (-20°C to 45°C)
		5% to 95%, non-condensing
<b>Model Name</b>	HG43NF690U	HG50NF690U
<b>Display Resolution</b>	3840 x 2160	3840 x 2160
<b>Screen Size (Diagonal)</b>	43" Class (42.5 measured diagonally)	50" Class (49.5 measured diagonally)
<b>Sound (Output)</b>	20 W	20 W
<b>Stand Swivel (Left / Right)</b>	20° / 60° / 90°	20° / 60° / 90°
<b>Dimensions (W x H x D) Body</b>	38.4 x 22.4 x 2.5 inches (975.8 x 569.0 x 62.6 mm)	44.4 x 25.8 x 2.5 inches (1128.9 x 654.4 x 63.2 mm)
<b>With stand</b>	38.4 x 24.7 x 8.9 inches (975.8 x 626.4 x 226.5 mm)	44.4 x 28.0 x 8.9 inches (1128.9 x 711.6 x 226.5 mm)
<b>Weight Without Stand</b>	19.2 lbs (8.7 kg)	28.0 lbs (12.7 kg)
<b>With Stand</b>	26.0 lbs (11.8 kg)	34.8 lbs (15.8 kg)
<b>Model Name</b>	HG55NF690U	HG65NF690U
<b>Display Resolution</b>	3840 x 2160	3840 x 2160
<b>Screen Size (Diagonal)</b>	55" Class (54.6 measured diagonally)	65" Class (64.5 measured diagonally)
<b>Sound (Output)</b>	20 W	20 W
<b>Stand Swivel (Left / Right)</b>	20° / 60° / 90°	20° / 60° / 90°
<b>Dimensions (W x H x D) Body</b>	48.9 x 28.3 x 2.5 inches (1242.6 x 718.4 x 63.2 mm)	57.6 x 33.2 x 2.5 inches (1463.5 x 844.5 x 64.6 mm)
<b>With stand</b>	48.9 x 30.5 x 8.9 inches (1242.6 x 775.3 x 226.5 mm)	57.6 x 36.4 x 14.0 inches (1463.5 x 923.4 x 355.1 mm)
<b>Weight Without Stand</b>	32.4 lbs (14.7 kg)	52.5 lbs (23.8 kg)
<b>With Stand</b>	39.2 lbs (17.8 kg)	63.7 lbs (28.9 kg)
<b>Model Name</b>	HG75NF690U	
<b>Display Resolution</b>	3840 x 2160	
<b>Screen Size (Diagonal)</b>	75" Class (74.5 measured diagonally)	
<b>Sound (Output)</b>	20 W	
<b>Stand Swivel (Left / Right)</b>	0°	
<b>Dimensions (W x H x D) Body</b>	66.5 x 38.2 x 2.6 inches (1688.9 x 971.2 x 66.0 mm)	
<b>With stand</b>	66.5 x 41.4 x 15.2 inches (1688.9 x 1052.6 x 384.9 mm)	
<b>Weight Without Stand</b>	77.6 lbs (35.2 kg)	
<b>With Stand</b>	85.5 lbs (38.8 kg)	

- Design and specifications are subject to change without prior notice.
- This device is a Class B digital apparatus.
- For information about power supply and power consumption, refer to the label attached to the product.

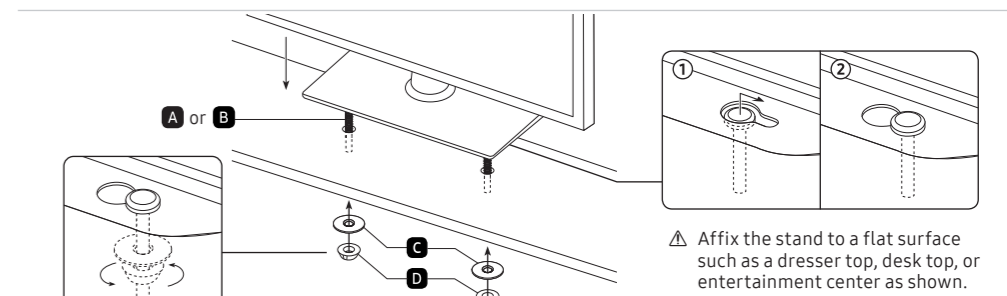
**WARNING:** This product contains chemicals known to the State of California to cause cancer and reproductive toxicity.



NOTE  
Make sure to distinguish between the front and back of each component when assembling them.  
Make sure that at least two persons lift and move the TV.

Hotel Mount Kit

<b>A</b>	<b>B</b>	<b>C</b>	<b>D</b>
Short Bolt (2EA)	Long Bolt (2EA)	Washer (2EA)	Nut (2EA)



Apparatus not tested because it is intended to be fastened in place shall be provided with the following warning, marked on the apparatus or on a durable label attached to the mains cord:  
**WARNING:** This apparatus must be securely attached to the floor/wall per installation instructions. Tipping, shaking, or rocking the machine may cause injury/death.

## 8. Licence

DOLBY AUDIO

HEVC Advance

HDMI

The terms HDMI and HDMI High-Definition Multimedia Interface, and the HDMI Logo are trademarks or registered trademarks of HDMI Licensing LLC in the United States and other countries.

Open Source License Notice  
Open Source used in this product can be found on the following webpage: (<http://opensource.samsung.com>)  
Open Source License Notice is written only English.

