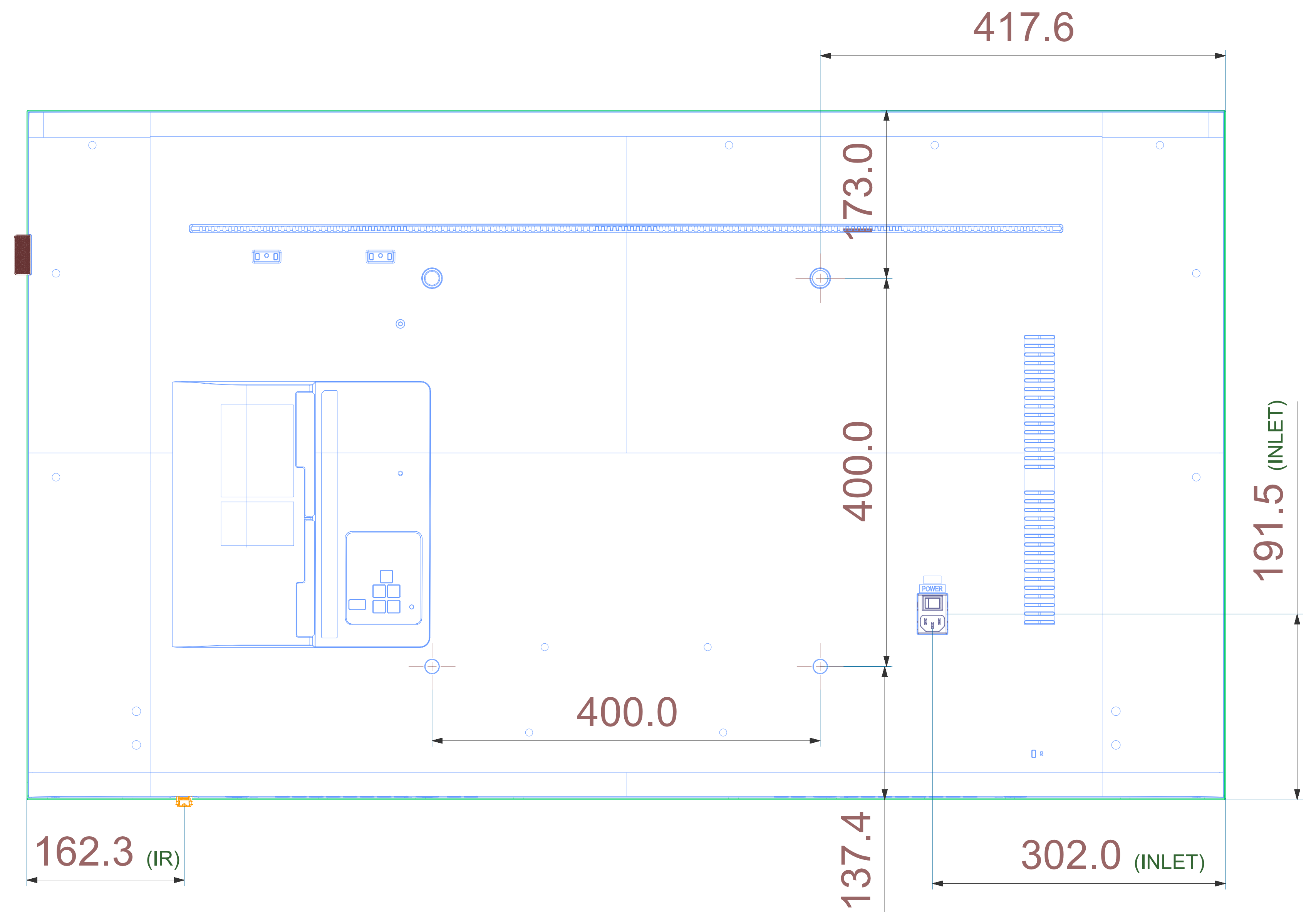
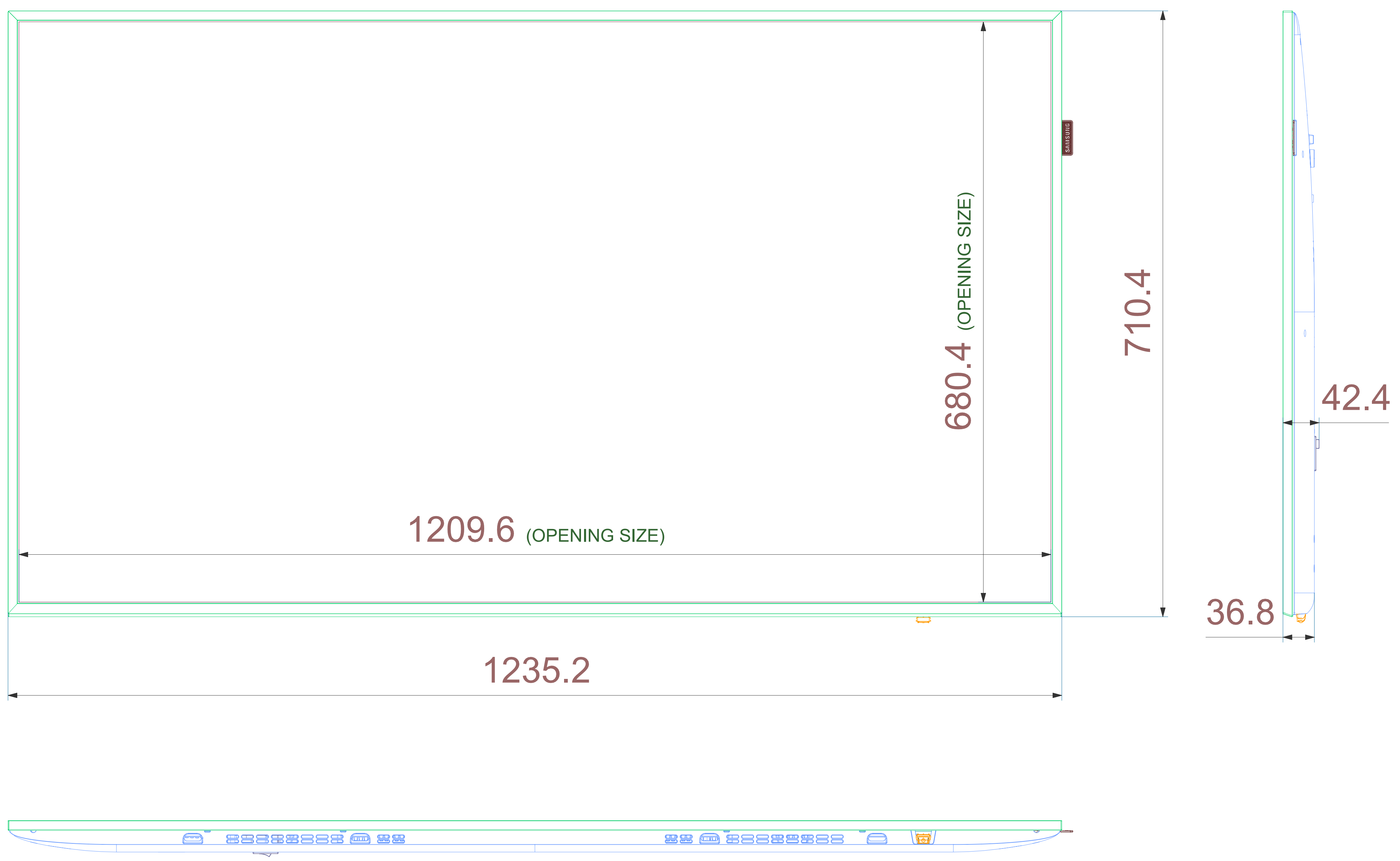


This drawing is property of SCD. Use or copy of this drawing without proper permission of the appropriate technical document managing department is prohibited. Copy with the threshold of substances which are specified in QA-200

Rev. No	ED	CODE	RECORD	REMARK

QMF(QMH) 55INCH DIMENSION



PART NAME	ASSY-SET-QMF 55	SPECIFICATION
UNIT	MM	DRAWING BY / REVISION BY / APPROVED BY
TOLERANCE		PROJECTION
SCALE		SHEET NO. /
EUCHRON		DWG. Rev
CODE No.		