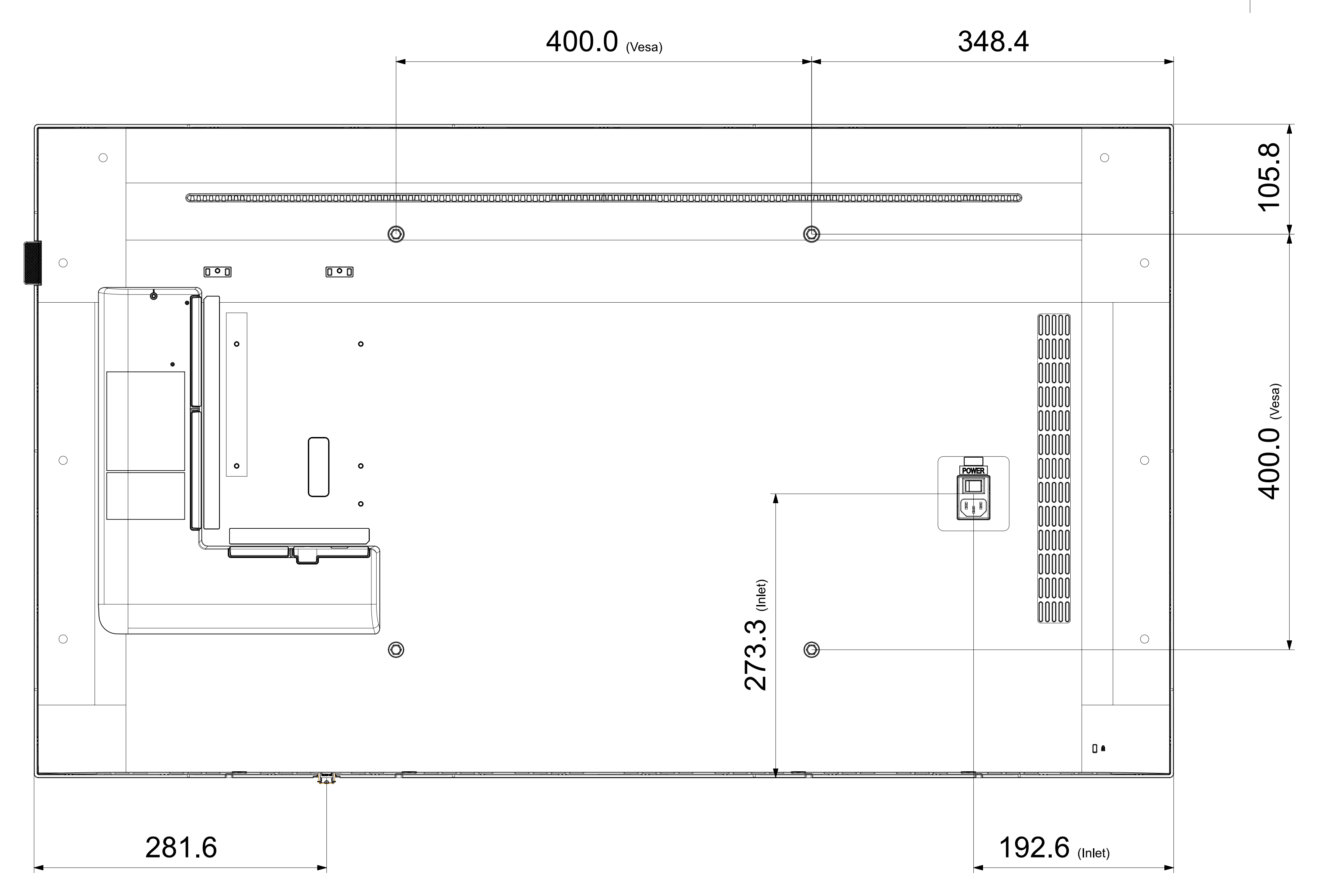
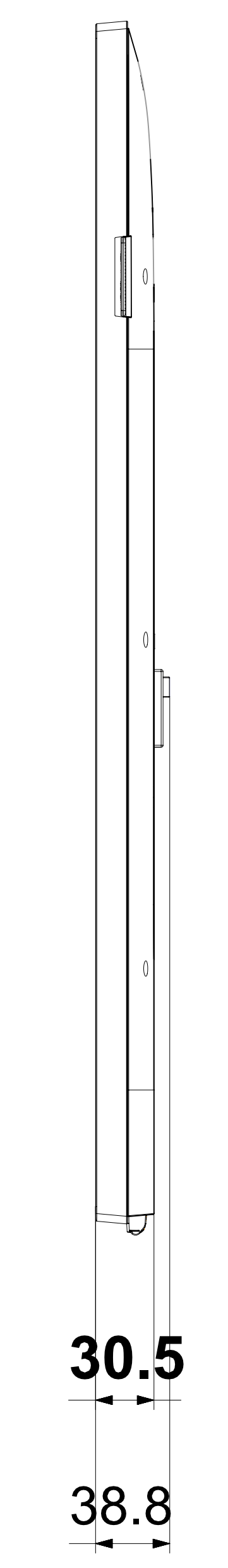
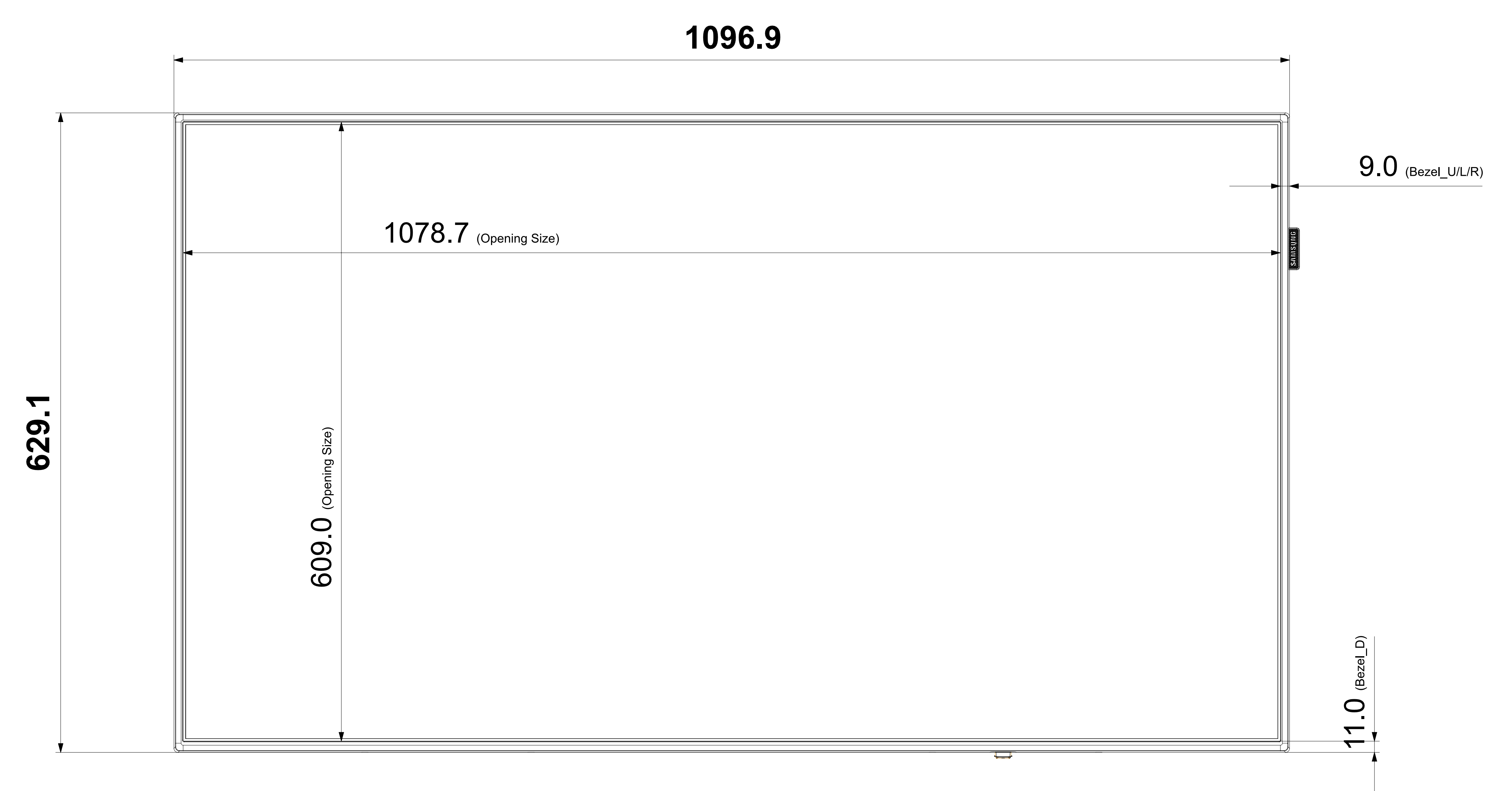


This drawing is property of SED. Use or copy of this drawing without proper permission of the appropriate technical document managing department is prohibited. Copy with the threshold of substances which are specified in OIA-200

Rev. No	32	33	34
ED	CODE	RECORD	REMARK

DCH/PMH 49inch Mechanical Drawing_170126



PART NAME	DC49H SET	SPECIFICATION	PROJECT
UNIT	MM	DRAWING BY	REVIEWED BY
TOLERANCE		APPROVED BY	PROJECTION
SCALE	Do, K 1 m		SHEET NO
EUCHONS		CODE No.	DWG. Rev