

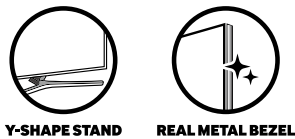
# SAMSUNG HOSPITALITY DISPLAYS HE890U

## HIGHLIGHTS

- Sophisticated, high-end design accommodates luxury hotel brands
- UHD resolution empowers upscale and memorable guest content
- LYNK REACH 4.0 server simplifies property-wide display management
- Wireless sharing seamlessly transfers personal device content



## A SLEEK, LUXURIOUS DESIGN



Y-SHAPE STAND REAL METAL BEZEL

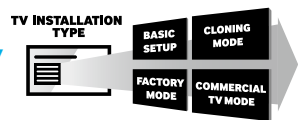
The HE890U's pristine, real metal bezel design accommodates both the sophistication of luxury hotel brands and expectations of entertainment-savvy travelers, all while opening more room for featured content.

## TRUE UHD-QUALITY CONTENT



Featuring UHD resolution, the HE890U delivers four times the pixels of standard FHD displays. This unique composition provides brilliant, realistic image quality for a home-like entertainment experience.

## IMPROVED PLUG-AND-PLAY CAPABILITIES



Advanced plug-and-play settings allow hotel managers to easily activate hundreds of HE890U displays. Operations teams simply need to navigate three basic launch settings to synchronize multiple displays and servers.

## EXPANDED STREAMING CAPABILITIES



Embedded Bluetooth connectivity transforms the HE890U into an all-in-one entertainment center. Guests can stream music from personal devices directly through the display's speakers, conveniently extending the comforts of home.

## WIRELESS DEVICE-TO-DISPLAY CONNECTIVITY



Together with screen mirroring feature, integrated Software Access Point connectivity synchronizes the HE890U with up to four mobile devices for seamless content streaming, clearly showcasing pictures, music and videos on the larger screen.

## A COMPREHENSIVE MANAGEMENT SOLUTION



As a unified content management solution, LYNK REACH 4.0 accommodates LAN, WIFI and coaxial infrastructures to amplify hotel management, monitoring and guest service functions.

## CENTRALIZED REAL-TIME MONITORING



The LYNK REACH 4.0 platform's centralized, real-time monitoring streamlines maintenance demands. Hotel managers can select single HE890U displays or display groups and troubleshoot guest issues before they escalate.

## END-TO-END PERSONALIZED SERVICE



Hotels also can leverage the LYNK REACH 4.0 platform to offer guests personalized attention and convenient access to on-site amenities. This includes customized welcome messages, promotional communications and express check-out.



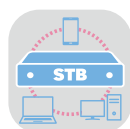
HOME MENU



APP ADJUSTMENT



LYNK DRM



SI COMPATIBILITY



DVB-T2  
DVB-C  
DVB-S2



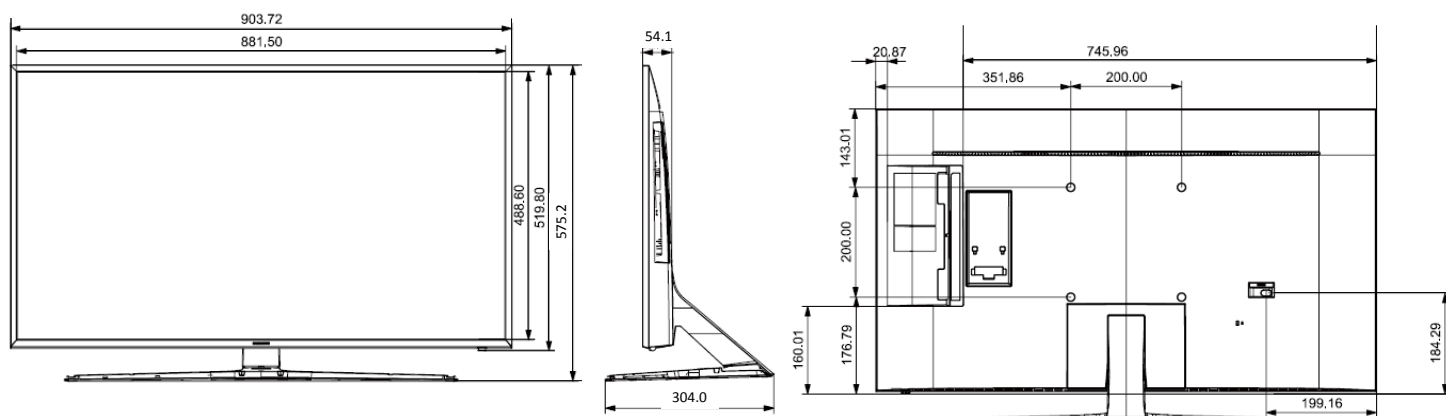
NORDIC SWAN  
ECO LABEL

# SPECIFICATIONS

MODEL		40EE890U HG40EE890UB	49EE890U HG49EE890UB	55EE890U HG55EE890UB	65EE890U HG65EE890UB
Display	Inch	40"	49"	55"	65"
	Resolution	3,840 × 2,160	3,840 × 2,160	3,840 × 2,160	3,840 × 2,160
Audio	Dolby Digital Plus	Yes	Yes	Yes	Yes
	Sound Output (RMS)	20W(L:10W, R:10W)	20W(L:10W, R:10W)	20W(L:10W, R:10W)	20W(L:10W, R:10W)
SMART TV	Smart TV Type	Smart	Smart	Smart	Smart
	Apps Panel	Yes	Yes	Yes	Yes
	Web Browser	Yes	Yes	Yes	Yes
VESA Standard	VESA Mount (mm)	200x200	400x400	400x400	400x400
Connectivity	Mobile to TV - Mirroring, DLNA	Yes	Yes	Yes	Yes
	Bluetooth Music Player (Mobile → TV)	Yes	Yes	Yes	Yes
	Samsung SMART View	Yes	Yes	Yes	Yes
Feature	EPG	Yes	Yes	Yes	Yes
	BT HID Support	Yes	Yes	Yes	Yes
System	Digital Broadcasting	DVB-T2/C/S2	DVB-T2/C/S2	DVB-T2/C/S2	DVB-T2/C/S2
	Analog Tuner	Yes	Yes	Yes	Yes
	CI (Common Interface)	CI+(1.3)	CI+(1.3)	CI+(1.3)	CI+(1.3)
Hospitality Feature	Samsung LYNK™ SINC Compatibility	Yes	Yes	Yes	Yes
	Samsung LYNK™ HMS Compatibility	Yes	Yes	Yes	Yes
	H.Browser	Yes	Yes	Yes	Yes
	Samsung LYNK™ REACH (IP)	REACH 4.0	REACH 4.0	REACH 4.0	REACH 4.0
	Samsung LYNK™ REACH (RF)	REACH 4.0	REACH 4.0	REACH 4.0	REACH 4.0
	Samsung LYNK™ REACH RF Modulator Compatibility	Yes	Yes	Yes	Yes
	Hospitality Home Menu	Home Menu 2015	Home Menu 2015	Home Menu 2015	Home Menu 2015
	Mixed Channel List (ATSC, DVB-T/T2/C/S2, Analog)	Yes	Yes	Yes	Yes
	Welcome Message	Yes	Yes	Yes	Yes
	RJ12/IR pass through	Yes	Yes	Yes	Yes
	External Clock Compatibility	N/A	N/A	N/A	N/A
	USB Cloning	Yes	Yes	Yes	Yes
Input & Output	USB	2/0	2/0	2/0	2/0
	Component In (Y/Pb/Pr)	1/0	1/0	1/0	1/0
	Composite In (AV)	1/0 (Common Use for Component Y)	1/0 (Common Use for Component Y)	1/0 (Common Use for Component Y)	1/0 (Common Use for Component Y)
	Ethernet (LAN)	1/0	1/0	1/0	1/0
	Variable Audio Out	N/A	N/A	N/A	N/A
	RJ12	1/0	1/0	1/0	1/0
	RJP(For Remote Backpack)	N/A	N/A	N/A	N/A
	Headphone ID	N/A	N/A	N/A	N/A
	PC In (D-sub)	N/A	N/A	N/A	N/A
	PC/DVI Audio In (Mini Jack)	N/A	N/A	N/A	N/A
Ethernet Bridge (LAN-Out)	N/A	N/A	N/A	N/A	
Stand	Swivel (Left/Right)	N/A	N/A	N/A	N/A
Eco	Energy Efficiency Class	A	A	A	A+
Dimension	Set Size without Stand - Speaker Side (WxHxD)(mm)	903.7 * 519.8 * 54.1	1099.4 * 638.7 * 55.3	1235.2 * 715.1 * 54.7	1456.1 * 840.4 * 54.4
	Set Size with Stand (WxHxD)(mm)	903.7 * 575.2 * 304.0	1099.4 * 709.0 * 334.1	1235.2 * 786.7 * 334.1	1456.1 * 924.3 * 378.7
	Package Size (WxHxD)(mm)	1033 * 609 * 165	1275 * 733 * 163	1425 * 819 * 163	1625 * 947 * 185

# SPECIFICATIONS

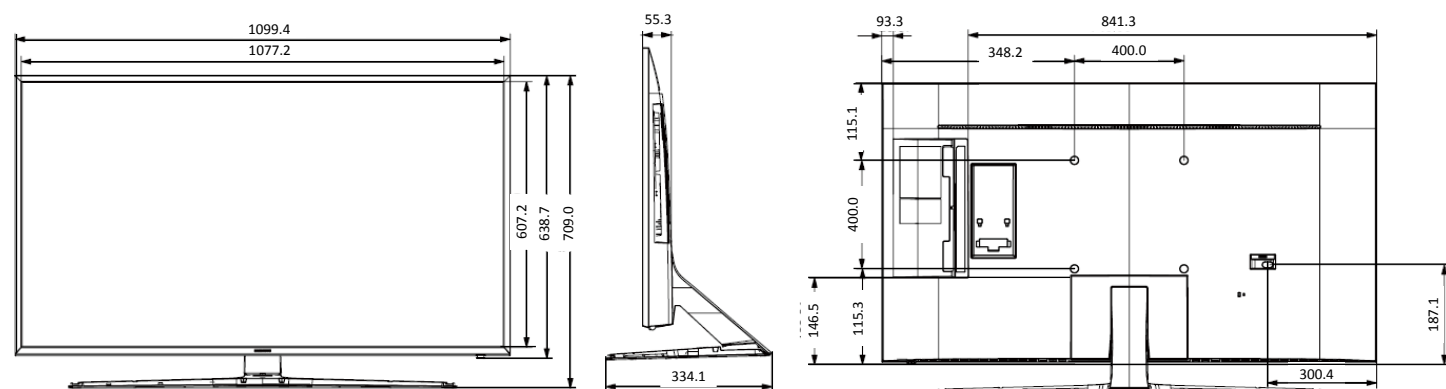
## HG40EE890UB



### CONNECTORS

1. USB (5V 0.5A)
2. USB (HDD 1.0A) / CLONING
3. DIGITAL AUDIO OUT (OPTICLA)
4. HDMI IN1 (ARC)
5. HDMI IN2
6. DATA
7. LAN
8. COMPONENT IN / AV IN
9. ANT IN

## HG49EE890UB

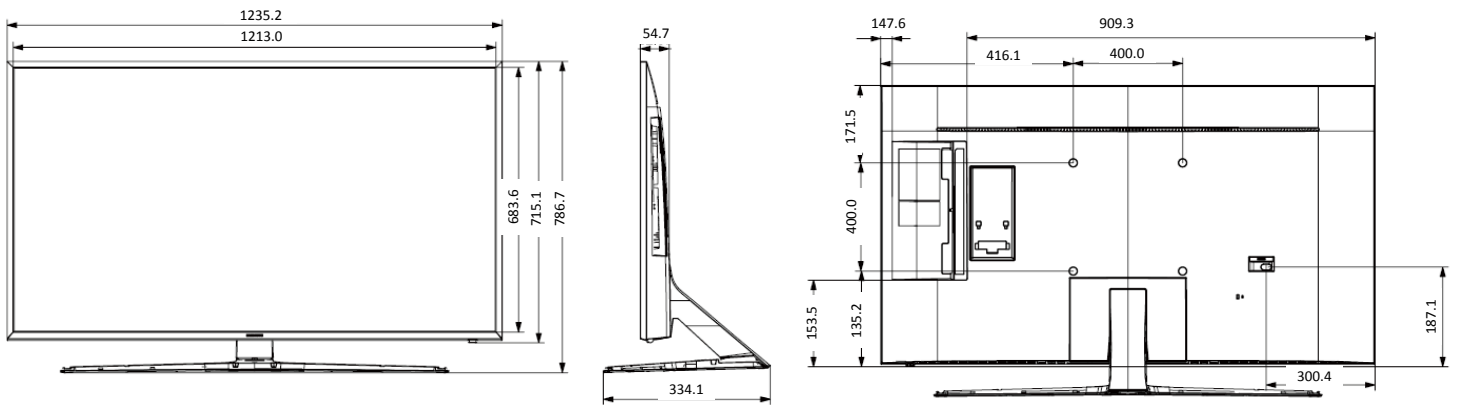


### CONNECTORS

1. USB (5V 0.5A)
2. USB (HDD 1.0A) / CLONING
3. DIGITAL AUDIO OUT (OPTICLA)
4. HDMI IN1 (ARC)
5. HDMI IN2
6. DATA
7. LAN
8. COMPONENT IN / AV IN
9. ANT IN

# SPECIFICATIONS

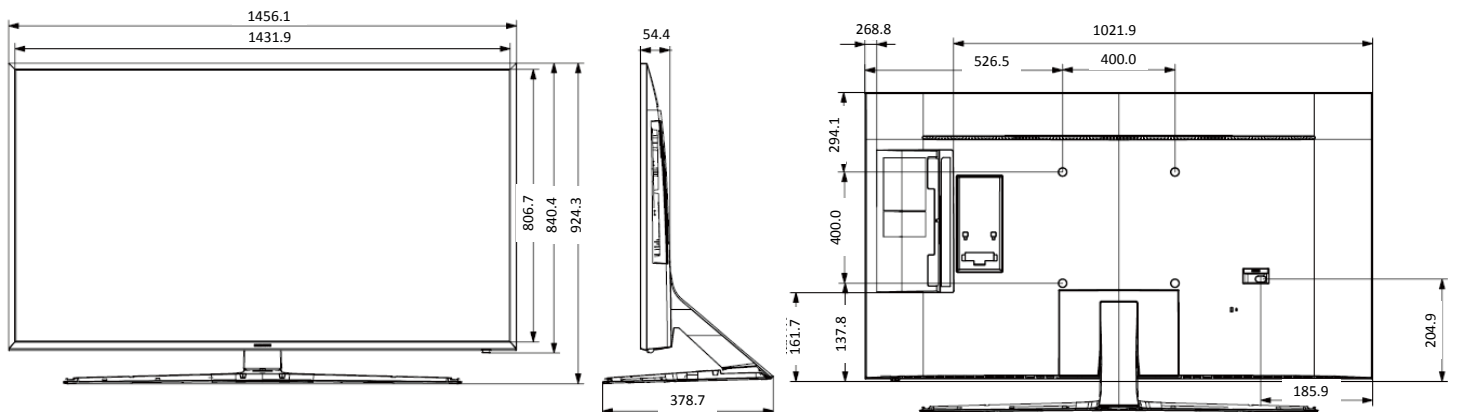
## HG55EE890UB



### CONNECTORS

- |                               |           |
|-------------------------------|-----------|
| 1. USB(5V 0.5A)               | 9. ANT IN |
| 2. USB (HDD1.0A) / CLONING    |           |
| 3. DIGITAL AUDIO OUT(OPTICLA) |           |
| 4. HDMI IN1 (ARC)             |           |
| 5. HDMI IN2                   |           |
| 6. DATA                       |           |
| 7. LAN                        |           |
| 8. COMPONENT IN / AV IN       |           |

## HG65EE890UB



### CONNECTORS

- |                               |           |
|-------------------------------|-----------|
| 1. USB(5V 0.5A)               | 9. ANT IN |
| 2. USB (HDD1.0A) / CLONING    |           |
| 3. DIGITAL AUDIO OUT(OPTICLA) |           |
| 4. HDMI IN1 (ARC)             |           |
| 5. HDMI IN2                   |           |
| 6. DATA                       |           |
| 7. LAN                        |           |
| 8. COMPONENT IN / AV IN       |           |

### About Samsung Electronics Co., Ltd.

Samsung Electronics Co., Ltd. inspires the world and shapes the future with transformative ideas and technologies. The company is redefining the worlds of TVs, smartphones, wearable devices, tablets, cameras, digital appliances, medical equipment, network systems, and semiconductor and LED solutions. For the latest news, please visit Samsung Newsroom at <http://news.samsung.com>

### Hospitality Display

For more information about Samsung Hospitality Displays, visit [www.samsung.com/business](http://www.samsung.com/business) or [www.samsung.com/displaysolutions](http://www.samsung.com/displaysolutions)

Copyright © 2017 Samsung Electronics Co. Ltd. All rights reserved. Samsung is a registered trademark of Samsung Electronics Co. Ltd. Specifications and designs are subject to change without notice. Non-metric weights and measurements are approximate. All data were deemed correct at time of creation. Samsung is not liable for errors or omissions. All brand, product, service names and logos are trademarks and/or registered trademarks of their respective owners and are hereby recognized and acknowledged.

Samsung Electronics Co., Ltd.  
416, Maetan 3-dong, Yeongtong-gu, Suwon-si, Gyeonggi-do 443-772, Korea