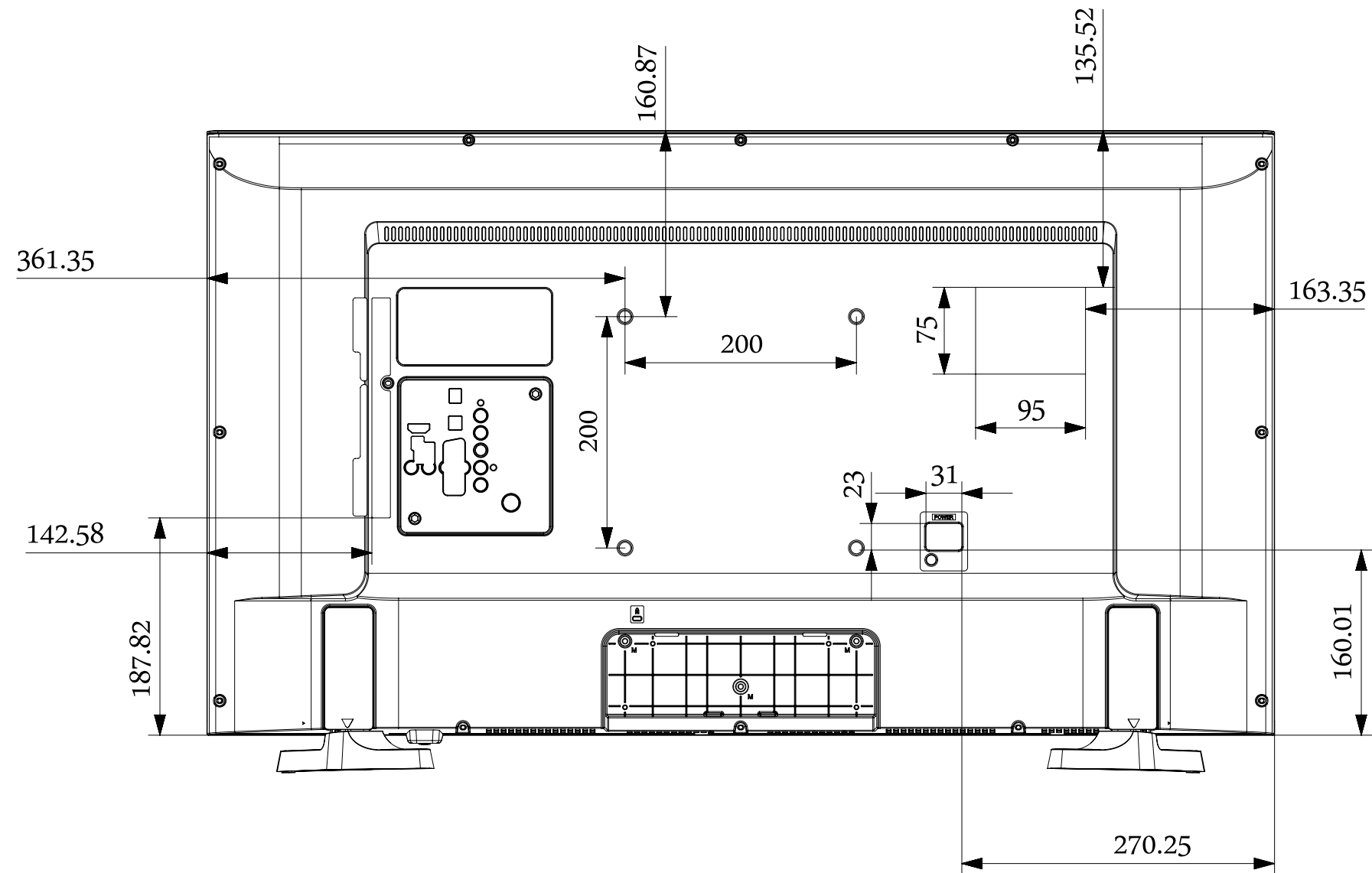
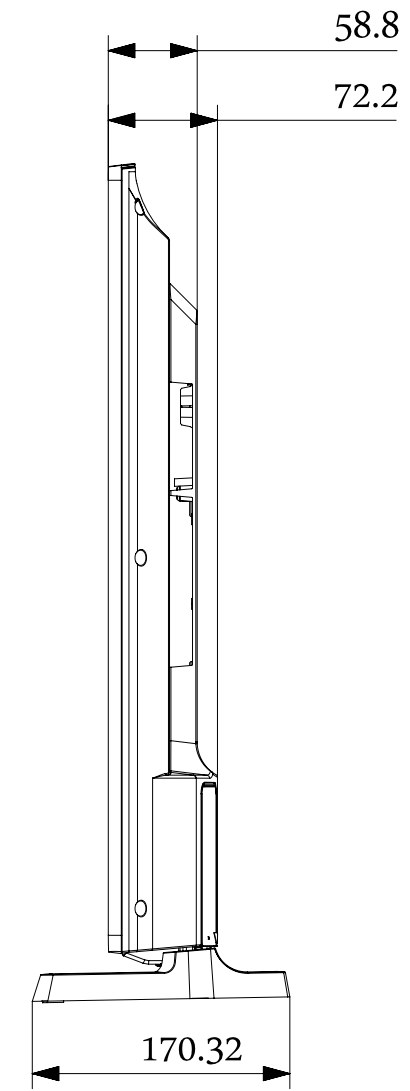
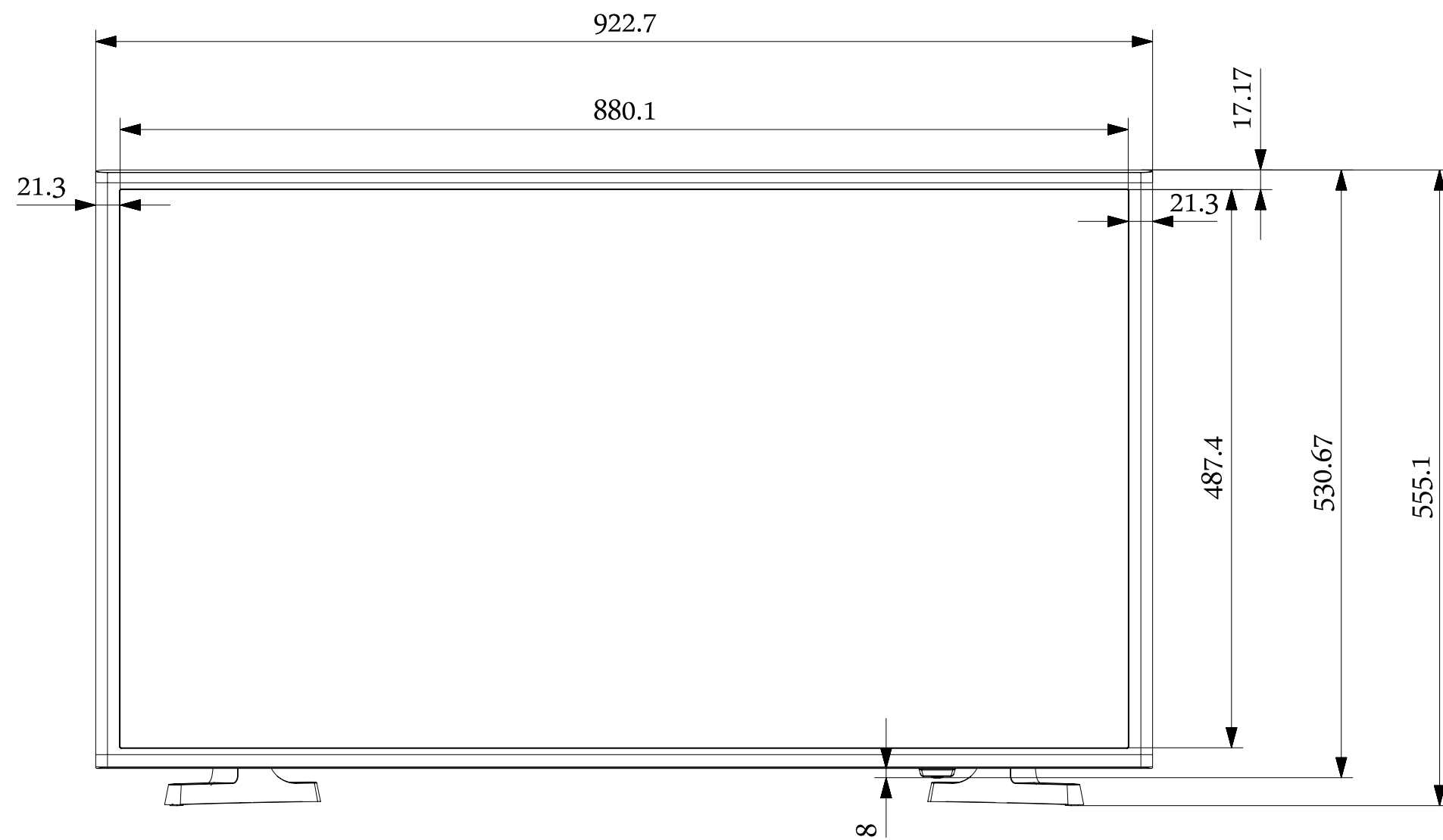


Rev.No	ED	CODE	RECORD	REMARK



PART NAME	VD_drafting_A2			SPECIFICATION	
UNIT	MM	DRAWING BY	REVIEWED BY	APPROVED BY	PROJECTION
TOLERANCE					⊕
SCALE					SHEET NO /
		CODE No.			DWG. Rev