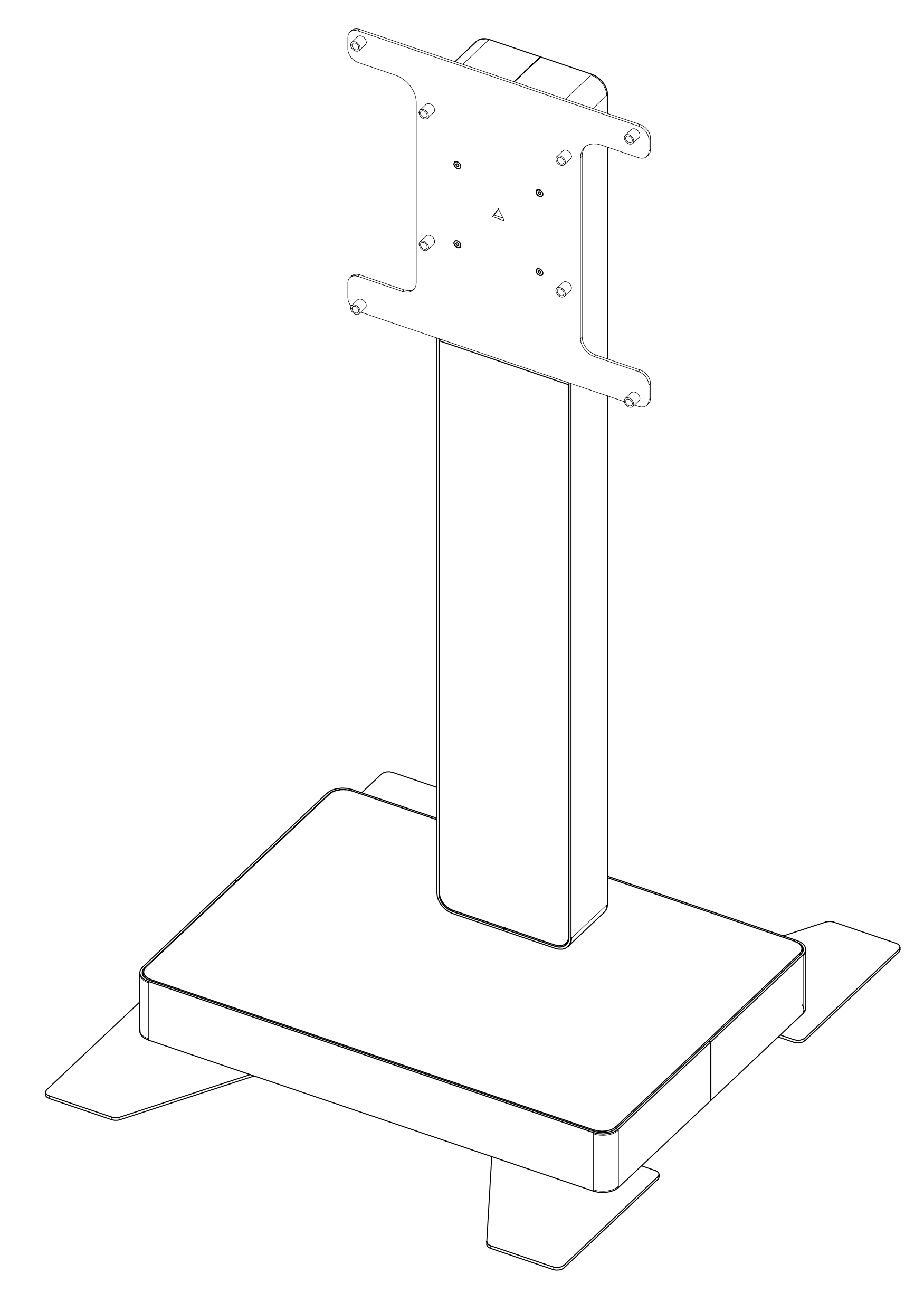
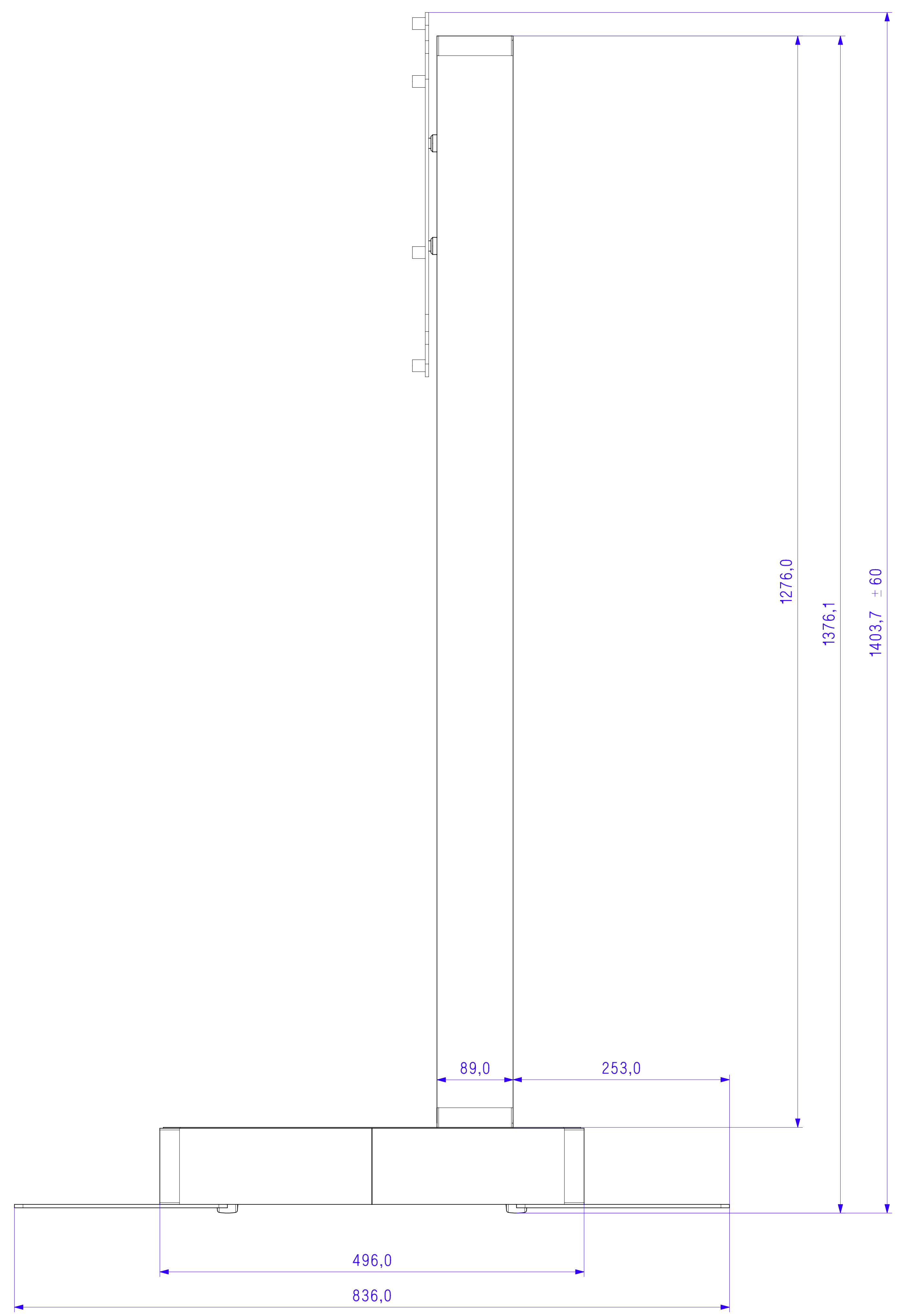
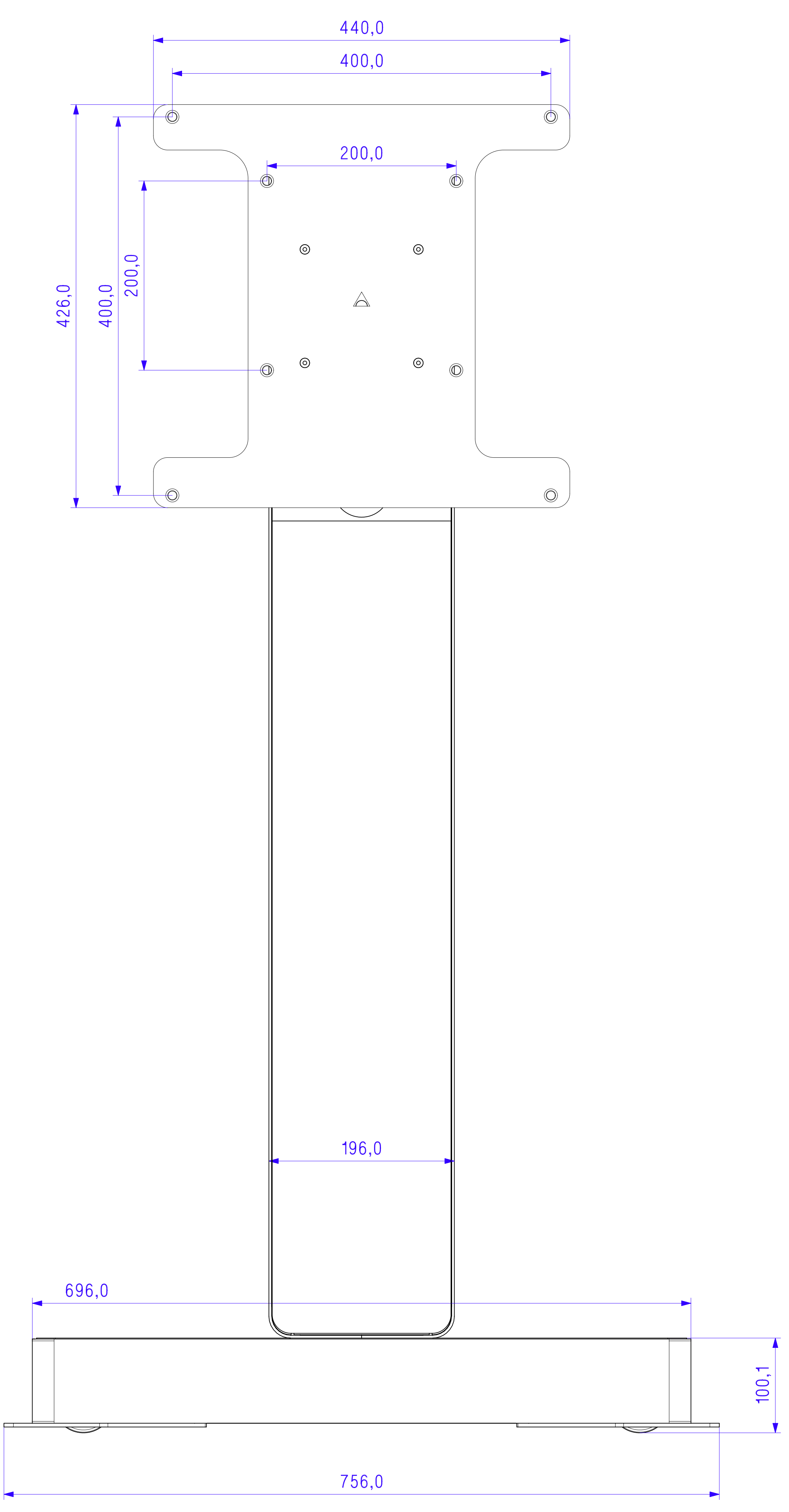


This drawing is property of SDC. Use or copy of this drawing without proper permission of the appropriate technical document managing department is prohibited. Copy with the threshold of substances which are specified in 004-2009

Rev.No		32	33	34
ED	CODE	RECORD	REMARK	

STN-W4075E

SET DIMENSION : W756 x D836 x H1403.7 ± 60



PART NAME	UNIT	STN-W4075E	SPECIFICATION	PROJECT
TOLERANCE	MM		DRAWING BY	REVIEWED BY
SCALE			APPROVED BY	
SDC ELECTRONICS			CODE No.	SHEET NO
			DWG. Rev	