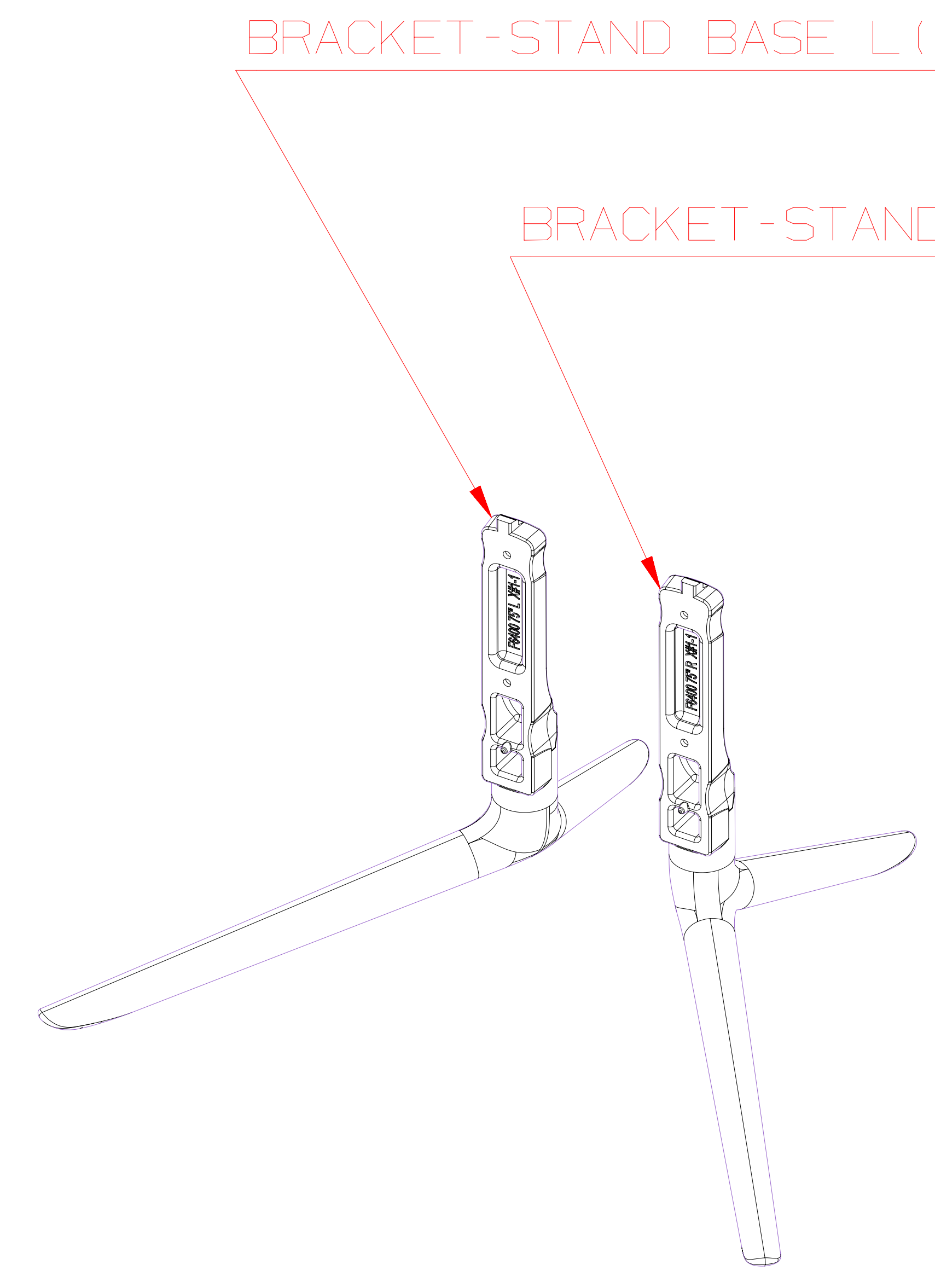
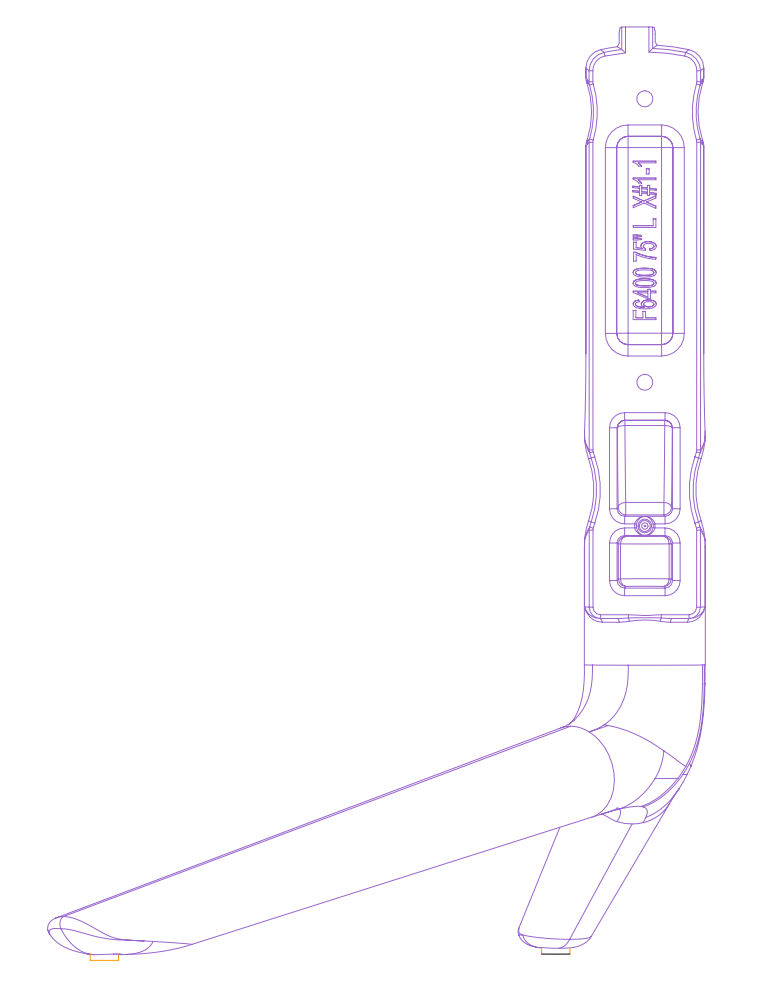
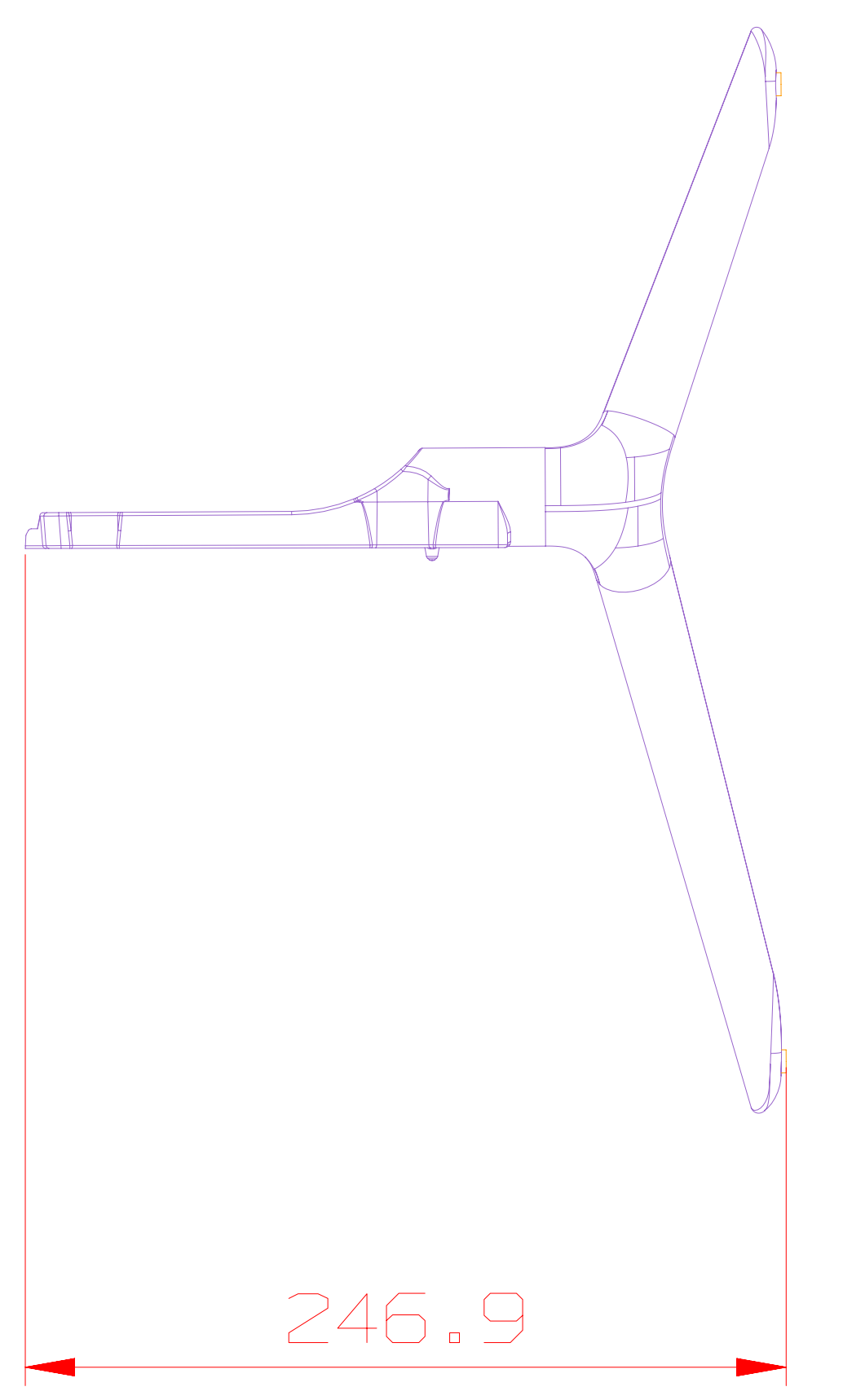
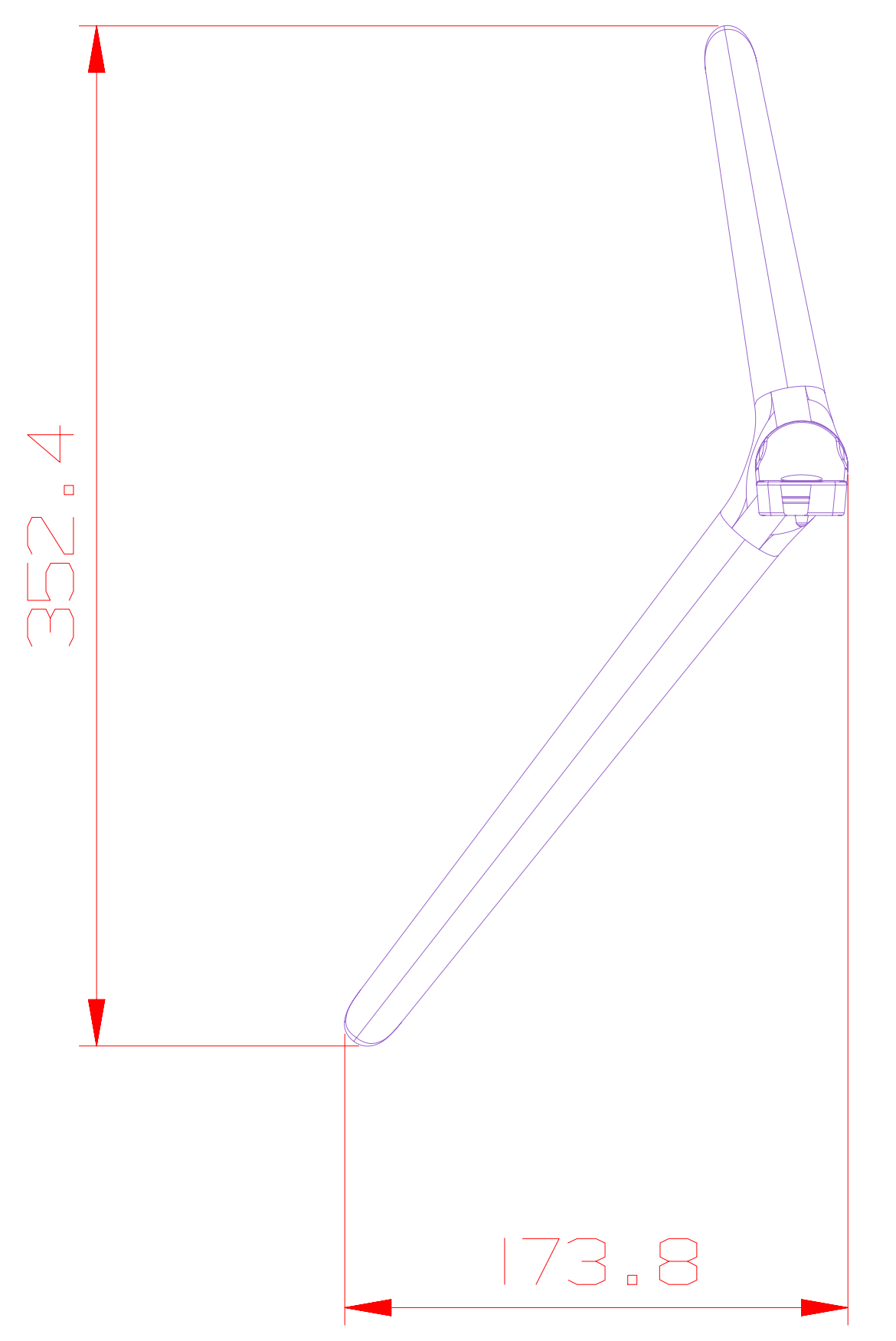


This drawing is property of SDC. Use or copy of this drawing without proper permission of the appropriate technical document handling department is prohibited. Copying with the threshold of substances which are specified in OIA-200

Rev. No	ED	CODE	RECORD	REMARK
32				
33				
34				

BRACKET-STAND BASE L,R



BRACKET-STAND BASE L (BN61-09157B)

BRACKET-STAND BASE R (BN61-09158B)

PART NAME	VDI-00234811	SPECIFICATION
UNIT	MM	DRAWING BY
TOLERANCE		REVIEWED BY
SCALE		APPROVED BY
		PROJECTION
		SHEET NO
		DWG. Rev