

Samsung UHD Hospitality Display

- HD890W, HD890U and HD690U

Exceptional UHD SMART hospitality display for the premier hotel environment



Emerging popularity of UHD in hospitality environments

With the continuous growth of the consumer UHD market and the emergence of UHD content providers across the globe, UHD is becoming increasingly popular among hospitality businesses. This industry-wide acceptance is expected to increase, with UHD becoming a standard room entertainment environment in the foreseeable future. Considering the timeframe typically required by properties to replace hospitality TVs, this is the ideal moment to begin equipping guest room entertainment environments with UHD displays. As with any business enhancement, hospitality providers must consider both replacement and operating expenses when exchanging existing TVs with UHD TVs.

Catch the UHD trend with stunningly clear, easily managed displays that deliver rich content for the upscale hotel

With Samsung UHD TVs, premium and luxury hotel guests experience amazing picture quality and clarity, along with interactive enriched content that is tailored to make their stay memorable. Whether they're connecting wirelessly to a myriad of entertainment options or enjoying personal images and audio, guests' comfort and convenience are elevated to new levels. A remarkably immersive viewing experience through the HD890W SMART Hospitality Display curved screen provides guests with an unrivalled premium hotel stay. Meanwhile, hotel managers appreciate the efficiency of easy management and content differentiation provided by these superior UHD displays.



Figure 1. UHD Hospitality Displays upscale hotel atmosphere while delivering immersive viewing experience

'Samsung UHD Hospitality Displays delivers premium and luxury experience with amazing picture quality and enriched interactive content.'

Elevate premium hotel guest rooms to the new UHD standard

Provide exceptionally vivid and detailed images with UHD Upscaling Technology

Samsung UHD TVs deliver Full-HD (FHD) content with an embedded 4-step UHD Upscaling process to provide viewers with exceptionally detailed images and ultimate picture quality. Viewers enjoy consistent UHD-like clarity, even when they're watching content with FHD and lower resolution. UHD Dimming precisely scans an extraordinary number of zones across an entire image and adjusts brightness to deliver deeper darks and brighter whites. This feature virtually eliminates the "halo" effect and image distortion, so viewers enjoy a crystal-clear picture. Precision Black Local Dimming produces sharper contrast and darker black hues by dimming the LEDs behind the darkest area of the picture while leaving the brighter elements fully illuminated. With Wide Color Enhancer Plus, viewers witness a wider spectrum of colors on the TV screen, with enriched colors even for older, non-HD content.



Figure 2. Viewers can enjoy UHD-like clarity through Upscaling Technology

Combine rich content, interactivity and manageability

Leverage a bi-directional and interactive solution for IP hotel infrastructures: LYNK™ SINC

LYNK™ SINC provides hotel guests with a luxurious and entertaining stay built around their schedules or purpose of visit, while ensuring interactivity through an IP-based solution similar to consumer SMART TVs. The solution offers a new grid-type template for delivery of richer content to guests. In addition, LYNK SINC serves all provided content through coaxial cables and IP networks, along with two-way interaction through the solution's linkage to a PMS server.

Easily customizable by hotel managers, the solution delivers centralized management of hundreds of hotel displays with controls ranging from TV status monitoring and controlling to guest grouping for differentiated content delivery.

LYNK SINC's new function, IPTV Standalone Solution, is available without SINC content through a free license. Through this function, hotel personnel can control content by editing the IPTV channel list and cloning the channel list to a USB device and copying it to individual TVs. This way, managers can efficiently offer guests IP TV without having to purchase any additional solution.

The guest experience is enhanced with access to services and information, such as local event and tourist information, and available discounts. Useful hotel information such as room service or spa menus can be accessed through customizable widgets, as well as free, automatically updated weather information so guests can plan outdoor activities. LYNK SINC enables hotels to provide up-to-date flight information so guests can coordinate checkout times with flight departures and supports personalized, real-time guest messaging. All of these professional capabilities are provided simply over an IP network without the need for STBs, minimizing maintenance complexity and eliminating the cumbersome presence of STBs in the property's hotel rooms.



Figure 3. LYNK SINC solution diagram

Deliver interactivity and rich content to guests with easily managed and customizable solutions

Easily manage hospitality TVs centrally and remotely with LYNK™ REACH, a flexible and low-cost coaxial infrastructure solution

Designed exclusively for hospitality businesses to help them manage content and control displays over current RF cables, LYNK™ REACH delivers remote, central and cost-efficient management of in-room displays. LYNK REACH is specialized software provided with LYNK REACH Server for hospitality environments. The software solution provides a simplified UI and editing tool that organizes and displays content, such as hotel information, images and logos, using existing infrastructures. LYNK REACH offers hoteliers advanced advertising functionalities and Channel Bank Management for Pay TV Services. In addition, LYNK REACH improves usability by enabling hotel managers to monitor room status, recent deployment and activity and with a simple, easy and intuitive user interface (UI) through Project Creator.



Figure 4. REACH solution diagram

Offer the ultimate guest experience with a customizable IP-based hospitality display management solution

As branded hospitality chains delegate hotel entertainment infrastructure maintenance to partners, they need a powerful solution to support the easy development, straightforward deployment and simplified maintenance of partners' solutions. H.Browser delivers the superior in-room entertainment and customized content management services that today's hotel guests expect, along with interactive web services, without need for hotels to purchase, install and maintain additional hardware such as VoD set-top boxes (STBs). As an IP-based open platform, H. Browser enables Systems Integrators (SIs) to provide fully customizable web browser solutions that deliver premium interactive services and features for both free

and VoD content. Because H.Browser is based on Internet programming languages such as HTML5 and Java Script®, SIs can easily develop and quickly deploy robust, customized hotel solutions.

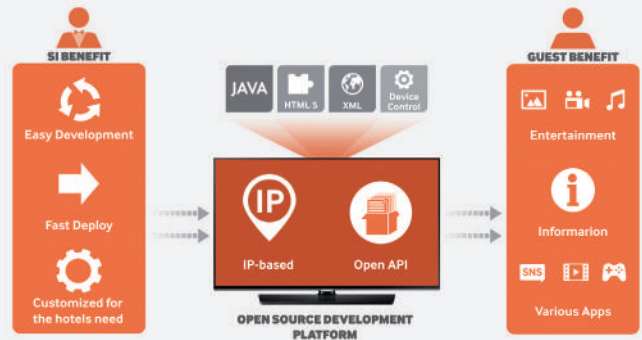


Figure 5. H.Browser diagram

Hospitality Partners :



Integrate guests' smart devices into in-room entertainment

Bluetooth Music Player provides a cozy, home-like atmosphere by enabling guests to listen to their mobile device audio through an easy connection. The Bluetooth Music Player feature eliminates the need for hotels to purchase additional costly audio docking stations that can easily be broken or stolen.

Offer flexible entertainment through convenient wireless connectivity

Samsung UHD hospitality displays transform the guest experience by providing an in-room, multi-device entertainment hub with myriad viewing, sharing and connectivity features.

Smart View

Smart View is an easy TV-mobile interaction feature that enables guests to watch TV channels on a broad range of mobile devices. Smart View TV-to-mobile interaction includes

Increase guests' comfort with simplified personal audio playing through the TV

Live Channel Mirroring for all channels using a Samsung GALAXY® device and free-to-air channels (only) using an iPhone®. Mobile-to-TV interaction pushes content such as photos, videos and music files through an intuitive interface available on the mobile device to the TV for easy selection and viewing. Mobile-to-TV interaction is not restrictive of the mobile device platform used. Guests can enjoy their mobile content on the larger in-room TV.

Screen Mirroring

Screen Mirroring enables guests to share the screen of a mobile device on the TV. This sharing capability includes the screen configuration in addition to content. This means that the TV displays exactly what displays on the mobile device, with no content restrictions.

Digital Living Network Alliance® (DLNA)

Digital Living Network Alliance (DLNA) technology enables guests to play personal content through a wireless connection on their in-room TVs. Content includes movies, photos and music.

Soft AP

Soft AP provides a software access point (AP) or hotspot. Up to four devices can connect wirelessly to the AP. Hotel managers can change the signal level and channel of the Soft

AP to suit the connectivity environment of different rooms.

Deliver quicker and higher TV performance with Quad Core and Instant On

With a Quad Core processor, guests can experience smoother navigation and faster access to smart features for enhanced TV viewing and operation. With Instant On, the TV boots in only 2 seconds to reduce waiting time.

Enhance content protection with a pure software DRM solution

Samsung LYNK DRM technology provides hoteliers with a protected and cost-effective alternative to traditional hardware-based content protection systems. The solution allows encrypted content to pass safely and to display on hotel TVs.

A software-only implementation, LYNK DRM technology reduces the need for additional equipment and provides quicker recovery for Conditional Access System (CAS) problems. To help ensure reliability of the system, coverage extends to the enlargement of head-end equipment for cable operators.



Figure 6. Quad Core enables powerful TV performance

Safeguard content with a software-based, reliable and economical DRM solution

Enhance guest comfort with an intuitive and sensitive remote controller

Samsung 890 Series SMART Hospitality Display remote controllers feature an oval design that fits more comfortably in the user’s hand with a motion sensor and four direction keys for faster, easier navigation, a touchpad for easy and intuitive flicking and scrolling, and hot keys for single-click access to frequently used features.

**The referenced remote controller (TM1480) is offered only for high-end 890 Series SMART Hospitality Display models.*

Optimize device and resource management to minimize TCO

Samsung UHD Hospitality Displays provide centralized management from a control room. The displays’ convenient and efficient management features reduce staff maintenance visits. Because the displays are connected to the hotel’s network infrastructure, management can monitor each in-room TV and instantaneously deploy content grouping policies and EPG from a control room. The simplified configuration with only the display delivers the convenience of a set-top box (STB) configuration without the complexity, cost or hassle.

Feature and Benefit

Model	Feature and Benefit
HD890W	<ul style="list-style-type: none"> - Curved UHD display for the ultimate entertainment experience - Ultra-HD resolution for enhanced viewing - Bluetooth Music Player for easy and convenient personal media playing - Management solutions (REACH, SINC, H.Browser) for efficient and simplified management
HD890U	<ul style="list-style-type: none"> - Ultra-HD resolution for stunning and enjoyable TV viewing - Bluetooth Music Player for simplified and convenient personal media enjoyment - Management solutions (REACH, SINC, H.Browser) for straightforward and efficient control
HD690U	<ul style="list-style-type: none"> - Ultra-HD resolution for enhanced TV viewing - Bluetooth Music Player for straightforward and enjoyable personal audio playing - Management solution (REACH, SINC, H.Browser) for economic and simplified content and display management

Samsung HD890W Series Hospitality Displays

HD890W



- Curved UHD display for the ultimate entertainment experience
- Ultra-HD resolution for enhanced viewing
- Bluetooth Music Player for easy and convenient personal media playing
- Management solutions (REACH, SINC, H.Browser) for efficient and simplified management

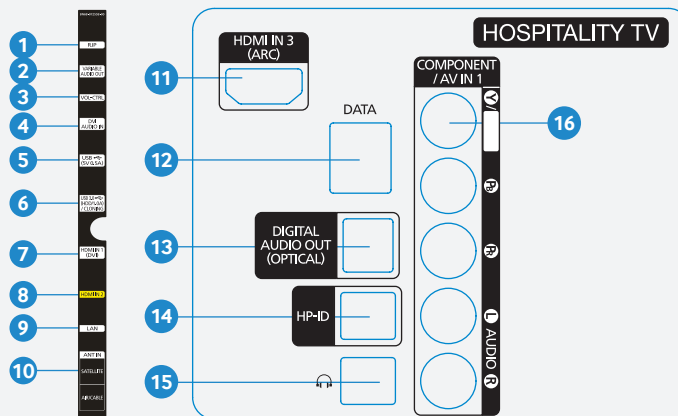
Basic Feature				Hospitality Solution			Convenience Feature		Security		Clock Option	
Screen Size	Resolution	Design	Processor	Home Menu	Lynk™ Reach	Lynk™ SINC	Bluetooth Player	Embedded Wi-Fi	Lynk™ DRM	Security Mode	External Clock Compatibility	Software Clock
55" 65"	UHD	Curved	Quad Core	New Home Menu	○	○	○	○	○			○

48"/55"/65"



- HG48ED890WB
- HG55ED890WB
- HG65ED890WB

Connectors



- | | | |
|-------------------------|--|-----------------------|
| 1. RJP(Remote Jackpack) | 8. HDMI IN 2 | 14. HEADPHONE-ID |
| 2. VARIABLE AUDIO OUT | 9. ETHERNET (LAN) | 15. HEADPHONE |
| 3. VOLUME CONTROL | 10. ANTENNA IN
(SATELLITE, AIR/CABLE) | 16. COMPONENT/AV IN 1 |
| 4. DVI AUDIO IN | 11. HDMI IN 3 | |
| 5. USB | 12. DATA | |
| 6. USB / CLONING | 13. DIGITAL AUDIO OUT (OPTICAL) | |
| 7. HDMI IN 1 | | |

Samsung HD890U Series Hospitality Displays

HD890U



- Ultra-HD resolution for stunning and enjoyable TV viewing
- Bluetooth Music Player for simplified and convenient personal media enjoyment
- Management solutions (REACH, SINC, H.Browser) for straightforward and efficient control

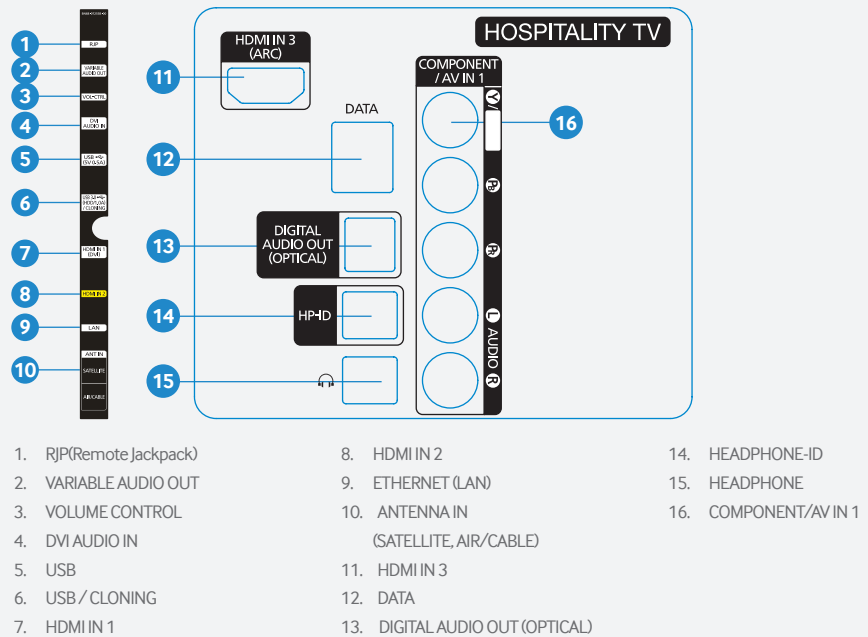
Basic Feature				Hospitality Solution			Convenience Feature		Security		Clock Option	
Screen Size	Resolution	Design	Processor	Home Menu	Lynk™ Reach	Lynk™ SINC	Bluetooth Player	Embedded Wi-Fi	Lynk™ DRM	Security Mode	External Clock Compatibility	Software Clock
40" 48" 55" 65"	UHD	Luxury	Quad Core	New Home Menu	○	○	○	○	○			○

40"/48"/55"/65"



- HG40ED890UB
- HG48ED890UB
- HG55ED890UB
- HG65ED890UB

Connectors



Samsung HD690U Series Hospitality Displays

HD690U



- Ultra-HD resolution for enhanced TV viewing
- Bluetooth Music Player for straightforward and enjoyable personal audio playing
- Management solution (REACH, SINC, H.Browser) for economic and simplified content and display management

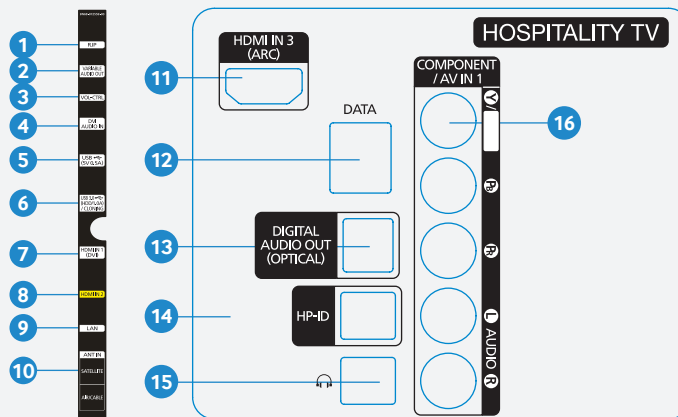
Basic Feature				Hospitality Solution			Convenience Feature		Security		Clock Option	
Screen Size	Resolution	Design	Processor	Home Menu	Lynk™ Reach	Lynk™ SINC	Bluetooth Player	Embedded Wi-Fi	Lynk™ DRM	Security Mode	External Clock Compatibility	Software Clock
40" 48" 55"	UHD	Slim	Quad Core	New Home Menu	O	O	O	O	O		O	O

40"/48"/55"



- HG40ED690UB
- HG48ED690UB
- HG55ED690UB

Connectors



- | | | |
|-------------------------|---------------------------------------|-----------------------|
| 1. RJP(Remote Jackpack) | 8. HDMI IN 2 | 14. HEADPHONE-ID |
| 2. VARIABLE AUDIO OUT | 9. ETHERNET (LAN) | 15. HEADPHONE |
| 3. VOLUME CONTROL | 10. ANTENNA IN (SATELLITE, AIR/CABLE) | 16. COMPONENT/AV IN 1 |
| 4. DVI AUDIO IN | 11. HDMI IN 3 | |
| 5. USB | 12. DATA | |
| 6. USB / CLONING | 13. DIGITAL AUDIO OUT (OPTICAL) | |
| 7. HDMI IN 1 | | |

Samsung HD890W Series Hospitality Displays

Specifications

		48HD890W HG48ED890WB	55HD890W HG55ED890WB	65HD890W HG65ED890WB
Display	Backlight	LED	LED	LED
	Inch	48	55	65
	HD/FHD/UHD	UHD	UHD	UHD
	Resolution	3,840 x 2,160	3,840 x 2,160	3,840 x 2,160
Video	Picture Engine	UHD Up-Scaling	UHD Up-Scaling	UHD Up-Scaling
	Micro Dimming	UHD Dimming	UHD Dimming	UHD Dimming
	Wide Color Enhancer (Plus)	Yes	Yes	Yes
	Auto Motion Plus	Yes	Yes	Yes
Audio	Film Mode	Yes	Yes	Yes
	Dolby® Digital Plus	MS11	MS11	MS11
	Virtual Surround	DTS Studio Sound	DTS Studio Sound	DTS Studio Sound
	DTS® Codec	DTS Premium sound 5.1	DTS Premium sound 5.1	DTS Premium sound 5.1
	3D Sound	N/A	N/A	N/A
	Sound Output (RMS)	40W	40W	40W
Feature	Speaker Type	2way-2spk Down Firing	2way-2spk Down Firing	2way-2spk Down Firing
	Woofer	Yes	Yes	Yes
Feature	Smart Hub	Smart	Smart	Smart
	Apps	Yes	Yes	Yes
	Web Browser	Yes	Yes	Yes
	Mobile to TV - Mirroring, DLNA®	Yes	Yes	Yes
	Samsung Smart View	Yes	Yes	Yes
	Voice Control	Yes	Yes	Yes
	Samsung 3D	N/A	N/A	N/A
	3D Converter	N/A	N/A	N/A
	Digital Clean View	Yes	Yes	Yes
	Auto Channel Search	Yes	Yes	Yes
	Auto Power Off	Yes	Yes	Yes
	BD Wise Plus	Yes	Yes	Yes
	Caption (Subtitle)	Yes	Yes	Yes
	Channel List USB-Clone	N/A	N/A	N/A
	ConnectShare™ (HDD)	Yes	Yes	Yes
	ConnectShare™ (USB 2.0)	Yes	Yes	Yes
	Sports Mode	Basic	Basic	Basic
	EPG	Yes	Yes	Yes
	Game Mode	Yes	Yes	Yes
	OSD Language	27 European Languages	27 European Languages	27 European Languages
	Picture-In-Picture	Yes	Yes	Yes
	BT HID Built-in	Yes	Yes	Yes
USB HID Support	Yes	Yes	Yes	
Teletext (TTX)	Yes	Yes	Yes	

Samsung HD890W Series Hospitality Displays

Specifications

	48HD890W HG48ED890WB	55HD890W HG55ED890WB	65HD890W HG65ED890WB
Samsung LYNK™ SINC Compatibility	Yes	Yes	Yes
H.Browser Compatibility	Yes	Yes	Yes
Samsung LYNK™ REACH	Yes	Yes	Yes
Samsung LYNK™ REACH Server Compatibility	Yes	Yes	Yes
Hospitality Home Menu	Yes	Yes	Yes
Bluetooth Music Player (Mobile > TV)	Yes	Yes	Yes
Hospitality Plug&Play (Easy Set-up)	Yes	Yes	Yes
Auto Source Mode	Yes	Yes	Yes
Power On Mode	Yes	Yes	Yes
Hotel Channel List	Yes	Yes	Yes
Channel Setup On/Off	Yes	Yes	Yes
Mixed Channel List (ATSC, DVB-T/T2/ C/S2, Analog)	Yes	Yes	Yes
My Channel	Yes	Yes	Yes
Energy Saving Mode(BLU control)	Yes	Yes	Yes
Logo Display with Time Out Setting (BMP/Movie)	Yes	Yes	Yes
Welcome Message	Yes	Yes	Yes
RJ12 / IR Pass Through	Yes	Yes	Yes
External Clock Compatibility	No	No	No
Clock Back Up Supply	Yes	Yes	Yes
External Clock Dimming Control	No	No	No
Software Clock	Yes	Yes	Yes
Multi Code Remote control	Yes	Yes	Yes
Screwed Battery Cover	Yes	Yes	Yes
Sound Bar Compatibility	Yes	Yes	Yes
Music Mode (Input: PC/AV/ Component/HDMI)	Yes	Yes	Yes
Music Mode Backlight on/off	Yes	Yes	Yes
TTX Clock Update (Analogue)	Yes	Yes	Yes
USB Cloning	Yes	Yes	Yes
Smoovie® Compatibility	Yes	Yes	Yes
Soft AP	Yes	Yes	Yes
On/Off Timer (Schedule)	Yes	Yes	Yes
Wake-up Timer (Alarm)	Yes	Yes	Yes
Samsung LYNK™ DRM	Yes	Yes	Yes
Pro:Idiom®	No	No	No
bLAN	No	No	No
Security Mode	No	No	No
S/W EPG (Solution EPG)	Yes	Yes	Yes
IEC 60601-1	No	No	No
Standby LED Color	Red	Red	Red
Wake on LAN (WOL)	Yes	Yes	Yes

Hospitality Feature

Samsung HD890W Series Hospitality Displays

Specifications

	48HD890W HG48ED890WB	55HD890W HG55ED890WB	65HD890W HG65ED890WB	
Input & Output	HDMI® (Side/Rear)	2/1	2/1	2/1
	USB (Side/Rear)	2/0	2/0	2/0
	Component In (Y/Pb/Pr) (Side/Rear)	0/1	0/1	0/1
	Composite In (AV) (Side/Rear)	0/1 (Common Use for Component Y)	0/1 (Common Use for Component Y)	0/1 (Common Use for Component Y)
	Ethernet (LAN) (Side/Rear)	1/0	1/0	1/0
	Headphone (Side/Rear)	0/1	0/1	0/1
	Audio Out (Mini Jack / LR) (Side/Rear)	No	No	No
	Digital Audio Out (Optical) (Side/Rear)	0/1	0/1	0/1
	PC In (D-sub)(Side./Rear)	No	No	No
	PC/DVI Audio In (Mini Jack)(Side./Rear)	1/0	1/0	1/0
	RF In (Terrestrial/Cable input) (Side/Rear)	1/0	1/0	1/0
	RS232C	Yes(Common Use for RJ12)	Yes(Common Use for RJ12)	Yes(Common Use for RJ12)
	CI Slot (Side/Rear)	0/1	0/1	0/1
	Scart (Side/Rear)	N/A	N/A	N/A
	Pillow Speaker Jack (Side/Rear)	No	No	No
	Variable Audio Out (Side/Rear)	1/0	1/0	1/0
	Variable Audio Out Volume Control (Side/Rear)	1/0	1/0	1/0
	Video Out (Side/Rear)	No	No	No
	RJ12 (Side/Rear)	0/1	0/1	0/1
	RJP (Remote Jackpack) (Side/Rear)	1/0	1/0	1/0
Headphone ID (Side/Rear)	0/1	0/1	0/1	
Door-Eye Control (Side/Rear)	No	No	No	
Door-Eye Video In (Side/Rear)	No	No	No	
System	DTV Tuner	DVB-T2/C/S2	DVB-T2/C/S2	DVB-T2/C/S2
	Analog Tuner	Yes	Yes	Yes
Design	Front Color	Black	Black	Black
	Stand Type	Arc T-Shape	Arc T-Shape	Arc T-Shape
	Swivel (Left/Right)	N/A	N/A	N/A
Dimension	Set Dimension with Stand (WxHxD) (mm)	1081.6 * 683.1 * 308.6	1238.5 * 771.5 * 308.6	1457.1 * 894.2 * 335.2
	Set Dimension without Stand - Wall Mount Side (WxHxD) (mm)	1081.6 * 627.5 * 107.3	1238.5 * 715.3 * 102.6	1457.1 * 842.2 * 121.8
	Set Dimension without Stand - Speaker Side (WxHxD) (mm)	1081.6 * 627.5 * 118.7	1238.5 * 715.3 * 113.7	1457.1 * 842.2 * 132.4
Weight	Set Weight with Stand (kg)	15.5	20.3	30.6
	Set Weight without Stand (kg)	12.6	17.4	26.3
	Package Weight (kg)	19.1	25.4	37.6
Accessory	Remote Controller Model	TM1480+TM1240	TM1480+TM1240	TM1480+TM1240
	Battery (for Remote Control)	Yes	Yes	Yes
	Vesa Wall Mount Support	Yes	Yes	Yes
	Power Cable	Yes	Yes	Yes
	Quick Install Guide	Yes	Yes	Yes
	Data Cable	Yes	Yes	Yes
	Stand Mount Kit	No	No	No
	Security Screws	No	No	No

Samsung HD890U Series Hospitality Displays

Specifications

		40HD890U HG40ED890UB	48HD890U HG48ED890UB	55HD890U HG55ED890UB	65HD890U HG65ED890UB
Display	Backlight	LED	LED	LED	LED
	Inch	40	48	55	65
	HD/FHD/UHD	UHD	UHD	UHD	UHD
	Resolution	3,840 x 2,160	3,840 x 2,160	3,840 x 2,160	3,840 x 2,160
Video	Picture Engine	UHD Up-Scaling	UHD Up-Scaling	UHD Up-Scaling	UHD Up-Scaling
	Micro Dimming	UHD Dimming	UHD Dimming	UHD Dimming	UHD Dimming
	Wide Color Enhancer (Plus)	Yes	Yes	Yes	Yes
	Auto Motion Plus	Yes	Yes	Yes	Yes
	Film Mode	Yes	Yes	Yes	Yes
Audio	Dolby Digital Plus	MS11	MS11	MS11	MS11
	Virtual Surround	DTS Studio Sound	DTS Studio Sound	DTS Studio Sound	DTS Studio Sound
	DTS Codec	DTS Premium sound 5.1	DTS Premium sound 5.1	DTS Premium sound 5.1	DTS Premium sound 5.1
	3D Sound	N/A	N/A	N/A	N/A
	Sound Output (RMS)	20W(L:10W, R:10W)	20W(L:10W, R:10W)	20W(L:10W, R:10W)	10W(L:5W, R:5W)
	Speaker Type	2CH(Down Firing + Base Reflex)	2CH(Down Firing + Base Reflex)	2CH(Down Firing + Base Reflex)	2CH(Down Firing + Base Reflex)
Woofer	N/A	N/A	N/A	N/A	
Feature	Smart Hub	Smart	Smart	Smart	Smart
	Apps	Yes	Yes	Yes	Yes
	Web Browser	Yes	Yes	Yes	Yes
	Mobile to TV - Mirroring, DLNA	Yes	Yes	Yes	Yes
	Samsung Smart View	Yes	Yes	Yes	Yes
	Voice Control	Yes	Yes	Yes	Yes
	Samsung 3D	N/A	N/A	N/A	N/A
	3D Converter	N/A	N/A	N/A	N/A
	Digital Clean View	Yes	Yes	Yes	Yes
	Auto Channel Search	Yes	Yes	Yes	Yes
	Auto Power Off	Yes	Yes	Yes	Yes
	BD Wise Plus	Yes	Yes	Yes	Yes
	Caption (Subtitle)	Yes	Yes	Yes	Yes
	Channel List USB-Clone	N/A	N/A	N/A	N/A
	ConnectShare™ (HDD)	Yes	Yes	Yes	Yes
	ConnectShare™ (USB 2.0)	Yes	Yes	Yes	Yes
	Sports Mode	Basic	Basic	Basic	Basic
	EPG	Yes	Yes	Yes	Yes
	Game Mode	Yes	Yes	Yes	Yes
	OSD Language	27 European Languages	27 European Languages	27 European Languages	27 European Languages
Picture-In-Picture	Yes	Yes	Yes	Yes	
BT HID Built-in	Yes	Yes	Yes	Yes	
USB HID Support	Yes	Yes	Yes	Yes	
Teletext (TTX)	Yes	Yes	Yes	Yes	

Samsung HD890U Series Hospitality Displays

Specifications

	40HD890U HG40ED890UB	48HD890U HG48ED890UB	55HD890U HG55ED890UB	65HD890U HG65ED890UB
Samsung LYNK™ SINC Compatibility	Yes	Yes	Yes	Yes
H.Browser Compatibility	Yes	Yes	Yes	Yes
Samsung LYNK™ REACH	Yes	Yes	Yes	Yes
Samsung LYNK™ REACH Server Compatibility	Yes	Yes	Yes	Yes
Hospitality Home Menu	Yes	Yes	Yes	Yes
Bluetooth Music Player (Mobile > TV)	Yes	Yes	Yes	Yes
Hospitality Plug&Play (Easy Set-up)	Yes	Yes	Yes	Yes
Auto Source Mode	Yes	Yes	Yes	Yes
Power On Mode	Yes	Yes	Yes	Yes
Hotel Channel List	Yes	Yes	Yes	Yes
Channel Setup On/Off	Yes	Yes	Yes	Yes
Mixed Channel List (ATSC, DVB-T/T2/ C/S2, Analog)	Yes	Yes	Yes	Yes
My Channel	Yes	Yes	Yes	Yes
Energy Saving Mode(BLU control)	Yes	Yes	Yes	Yes
Logo Display with Time Out Setting (BMP/Movie)	Yes	Yes	Yes	Yes
Welcome Message	Yes	Yes	Yes	Yes
RJ12 / IR Pass Through	Yes	Yes	Yes	Yes
External Clock Compatibility	No	No	No	No
Clock Back Up Supply	Yes	Yes	Yes	Yes
External Clock Dimming Control	No	No	No	No
Software Clock	Yes	Yes	Yes	Yes
Multi Code Remote control	Yes	Yes	Yes	Yes
Screwed Battery Cover	Yes	Yes	Yes	Yes
Sound Bar Compatibility	Yes	Yes	Yes	Yes
Music Mode (Input: PC/AV/ Component/HDMI)	Yes	Yes	Yes	Yes
Music Mode Backlight on/off	Yes	Yes	Yes	Yes
TTX Clock Update (Analogue)	Yes	Yes	Yes	Yes
USB Cloning	Yes	Yes	Yes	Yes
Smovie Compatibility	Yes	Yes	Yes	Yes
Soft AP	Yes	Yes	Yes	Yes
On/Off Timer (Schedule)	Yes	Yes	Yes	Yes
Wake-up Timer (Alarm)	Yes	Yes	Yes	Yes
Samsung LYNK™ DRM	Yes	Yes	Yes	Yes
Pro:Idiom	No	No	No	No
bLAN	No	No	No	No
Security Mode	No	No	No	No
S/W EPG (Solution EPG)	Yes	Yes	Yes	Yes
IEC 60601-1	No	No	No	Yes
Standby LED Color	Red	Red	Red	Yes
Wake on LAN (WOL)	Yes	Yes	Yes	Yes

Hospitality Feature

Samsung HD890U Series Hospitality Displays

Specifications

	40HD890U HG40ED890UB	48HD890U HG48ED890UB	55HD890U HG55ED890UB	65HD890U HG65ED890UB	
Input & Output	HDMI (Side/Rear)	2/1	2/1	2/1	2/1
	USB (Side/Rear)	2/0	2/0	2/0	2/0
	Component In (Y/Pb/Pr) (Side/Rear)	0/1	0/1	0/1	0/1
	Composite In (AV) (Side/Rear)	0/1 (Common Use for Component Y)	0/1 (Common Use for Component Y)	0/1 (Common Use for Component Y)	0/1 (Common Use for Component Y)
	Ethernet (LAN) (Side/Rear)	1/0	1/0	1/0	1/0
	Headphone (Side/Rear)	0/1	0/1	0/1	0/1
	Audio Out (Mini Jack / LR) (Side/Rear)	No	No	No	No
	Digital Audio Out (Optical) (Side/Rear)	0/1	0/1	0/1	0/1
	PC In (D-sub)(Side./Rear)	No	No	No	No
	PC/DVI Audio In (Mini Jack)(Side./Rear)	1/0	1/0	1/0	No
	RF In (Terrestrial/Cable input) (Side/Rear)	1/0	1/0	1/0	0/1
	RS232C	Yes(Common Use for RJ12)	Yes(Common Use for RJ12)	Yes(Common Use for RJ12)	Yes(Common Use for RJ12)
	CI Slot (Side/Rear)	0/1	0/1	0/1	0/1
	Scart (Side/Rear)	N/A	N/A	N/A	N/A
	Pillow Speaker Jack (Side/Rear)	No	No	No	No
	Variable Audio Out (Side/Rear)	1/0	1/0	1/0	No
	Variable Audio Out Volume Control (Side/Rear)	1/0	1/0	1/0	No
	Video Out (Side/Rear)	No	No	No	No
	RJ12 (Side/Rear)	0/1	0/1	0/1	0/1
	RJP (Remote Jackpack) (Side/Rear)	1/0	1/0	1/0	1/0
Headphone ID (Side/Rear)	0/1	0/1	0/1	0/1	
Door-Eye Control (Side/Rear)	No	No	No	No	
Door-Eye Video In (Side/Rear)	No	No	No	No	
System	DTV Tuner	DVB-T2/C/S2	DVB-T2/C/S2	DVB-T2/C/S2	DVB-T2/C/S2
	Analog Tuner	Yes	Yes	Yes	Yes
Design	Front Color	Black	Black	Black	Black
	Stand Type	Slim T-Shape	Slim T-Shape	Slim T-Shape	Slim T-Shape
Dimension	Swivel (Left/Right)	N/A	N/A	N/A	N/A
	Set Dimension with Stand (WxHxD) (mm)	917.7 * 587.7 * 271.7	1087.1 * 683.4 * 277.7	1242.6 * 770.5 * 277.7	1463.4 * 897.0 * 295.1
	Set Dimension without Stand - Wall Mount Side (WxHxD) (mm)	917.7 * 535.6 * 55.7	1087.1 * 630.8 * 56.3	1242.6 * 718.3 * 56.3	1463.4 * 844.2 * 57.6
	Set Dimension without Stand - Speaker Side (WxHxD) (mm)	917.7 * 535.6 * 66.8	1087.1 * 630.8 * 67.4	1242.6 * 718.3 * 67.4	1463.4 * 844.2 * 68.8
Weight	Set Weight with Stand (kg)	10.4	13.9	18.2	28.1
	Set Weight without Stand (kg)	8.3	11.1	15.4	23.9
	Package Weight (kg)	13.3	18.6	23.6	34.6
Accessory	Remote Controller Model	TM1480+TM1240	TM1480+TM1240	TM1480+TM1240	TM1480+TM1240
	Battery (for Remote Control)	Yes	Yes	Yes	Yes
	Vesa Wall Mount Support	Yes	Yes	Yes	Yes
	Power Cable	Yes	Yes	Yes	Yes
	Quick Install Guide	Yes	Yes	Yes	Yes
	Data Cable	Yes	Yes	Yes	Yes
	Stand Mount Kit	No	No	No	No
	Security Screws	No	No	No	No

Samsung HD690U Series Hospitality Displays

Specifications

		40HD690U HG40ED690UB	48HD690U HG48ED690UB	55HD690U HG55ED690UB
Display	Backlight	LED	LED	LED
	Inch	40	48	55
	HD/FHD/UHD	UHD	UHD	UHD
	Resolution	3,840 x 2,160	3,840 x 2,160	3,840 x 2,160
Video	Picture Engine	UHD Up-Scaling	UHD Up-Scaling	UHD Up-Scaling
	Micro Dimming	UHD Dimming	UHD Dimming	UHD Dimming
	Wide Color Enhancer (Plus)	Yes	Yes	Yes
	Auto Motion Plus	Yes	Yes	Yes
	Film Mode	Yes	Yes	Yes
Audio	Dolby Digital Plus	MS11	MS11	MS11
	Virtual Surround	DTS Studio Sound	DTS Studio Sound	DTS Studio Sound
	DTS Codec	DTS Premium sound 5.1	DTS Premium sound 5.1	DTS Premium sound 5.1
	3D Sound	N/A	N/A	N/A
	Sound Output (RMS)	20W(L:10W, R:10W)	20W(L:10W, R:10W)	20W(L:10W, R:10W)
	Speaker Type	2CH(Down Firing + Base Reflex)	2CH(Down Firing + Base Reflex)	2CH(Down Firing + Base Reflex)
	Woofers	N/A	N/A	N/A
Feature	Smart Hub	Smart	Smart	Smart
	Apps	Yes	Yes	Yes
	Web Browser	Yes	Yes	Yes
	Mobile to TV - Mirroring, DLNA	Yes	Yes	Yes
	Samsung Smart View	Yes	Yes	Yes
	Voice Control	Yes	Yes	Yes
	Samsung 3D	N/A	N/A	N/A
	3D Converter	N/A	N/A	N/A
	Digital Clean View	Yes	Yes	Yes
	Auto Channel Search	Yes	Yes	Yes
	Auto Power Off	Yes	Yes	Yes
	BD Wise Plus	N/A	N/A	N/A
	Caption (Subtitle)	Yes	Yes	Yes
	Channel List USB-Clone	Yes	Yes	Yes
	ConnectShare™ (HDD)	Yes	Yes	Yes
	ConnectShare™ (USB 2.0)	Yes	Yes	Yes
	Sports Mode	Basic	Basic	Basic
	EPG	Yes	Yes	Yes
	Game Mode	Yes	Yes	Yes
	OSD Language	27 European Languages	27 European Languages	27 European Languages
	Picture-In-Picture	Yes	Yes	Yes
	BT HID Built-in	Yes	Yes	Yes
USB HID Support	Yes	Yes	Yes	
Teletext (TTX)	Yes	Yes	Yes	

Samsung HD690U Series Hospitality Displays

Specifications

	40HD690U HG40ED690UB	48HD690U HG48ED690UB	55HD690U HG55ED690UB
Samsung LYNK™ SINC Compatibility	Yes	Yes	Yes
H.Browser Compatibility	Yes	Yes	Yes
Samsung LYNK™ REACH	Yes	Yes	Yes
Samsung LYNK™ REACH Server Compatibility	Yes	Yes	Yes
Hospitality Home Menu	Yes	Yes	Yes
Bluetooth Music Player (Mobile > TV)	Yes	Yes	Yes
Hospitality Plug&Play (Easy Set-up)	Yes	Yes	Yes
Auto Source Mode	Yes	Yes	Yes
Power On Mode	Yes	Yes	Yes
Hotel Channel List	Yes	Yes	Yes
Channel Setup On/Off	Yes	Yes	Yes
Mixed Channel List (ATSC, DVB-T/T2/ C/S2, Analog)	Yes	Yes	Yes
My Channel	Yes	Yes	Yes
Energy Saving Mode(BLU control)	Yes	Yes	Yes
Logo Display with Time Out Setting (BMP/Movie)	Yes	Yes	Yes
Welcome Message	Yes	Yes	Yes
RJ12 / IR Pass Through	Yes	Yes	Yes
External Clock Compatibility	No	No	No
Clock Back Up Supply	Yes	Yes	Yes
External Clock Dimming Control	No	No	No
Software Clock	Yes	Yes	Yes
Multi Code Remote control	Yes	Yes	Yes
Screwed Battery Cover	Yes	Yes	Yes
Sound Bar Compatibility	Yes	Yes	Yes
Music Mode (Input: PC/AV/ Component/HDMI)	Yes	Yes	Yes
Music Mode Backlight on/off	Yes	Yes	Yes
TTX Clock Update (Analogue)	Yes	Yes	Yes
USB Cloning	Yes	Yes	Yes
Smoovie Compatibility	Yes	Yes	Yes
Soft AP	Yes	Yes	Yes
On/Off Timer (Schedule)	Yes	Yes	Yes
Wake-up Timer (Alarm)	Yes	Yes	Yes
Samsung LYNK™ DRM	Yes	Yes	Yes
Pro:Idiom	No	No	No
bLAN	No	No	No
Security Mode	No	No	No
S/W EPG (Solution EPG)	Yes	Yes	Yes
IEC 60601-1	No	No	No
Standby LED Color	Red	Red	Red
Wake on LAN (WOL)	Yes	Yes	Yes

Hospitality Feature

Samsung HD690U Series Hospitality Displays

Specifications

		24HD690 HG24ED690AB	28HD690 HG28ED690AB	55HD690 HG55ED690EB
Input & Output	HDMI (Side/Rear)	2/1	2/1	2/1
	USB (Side/Rear)	2/0	2/0	2/0
	Component In (Y/Pb/Pr) (Side/Rear)	0/1	0/1	0/1
	Composite In (AV) (Side/Rear)	1 (Common Use for Component Y)	1 (Common Use for Component Y)	1 (Common Use for Component Y)
	Ethernet (LAN) (Side/Rear)	1/0	1/0	1/0
	Headphone (Side/Rear)	0/1	0/1	0/1
	Audio Out (Mini Jack / LR) (Side/Rear)	No	No	No
	Digital Audio Out (Optical) (Side/Rear)	0/1	0/1	0/1
	PC In (D-sub)(Side./Rear)	No	No	No
	PC/DVI Audio In (Mini Jack)(Side./Rear)	1/0	1/0	1/0
	RF In (Terrestrial/Cable input) (Side/Rear)	1/0	1/0	1/0
	RS232C	Yes(Common Use for RJ12)	Yes(Common Use for RJ12)	Yes(Common Use for RJ12)
	CI Slot (Side/Rear)	0/1	0/1	0/1
	Scart (Side/Rear)	N/A	N/A	N/A
	Pillow Speaker Jack (Side/Rear)	No	No	No
	Variable Audio Out (Side/Rear)	1/0	1/0	1/0
	Variable Audio Out Volume Control (Side/Rear)	1/0	1/0	1/0
	Video Out (Side/Rear)	No	No	No
	RJ12 (Side/Rear)	0/1	0/1	0/1
	RJP (Remote Jackpack) (Side/Rear)	1/0	1/0	1/0
	Headphone ID (Side/Rear)	0/1	0/1	0/1
	Door-Eye Control (Side/Rear)	No	No	No
	Door-Eye Video In (Side/Rear)	No	No	No
System	DTV Tuner	DVB-T2/C/S2	DVB-T2/C/S2	DVB-T2/C/S2
	Analog Tuner	Yes	Yes	Yes
Design	Front Color	Black	Black	Black
	Stand Type	Plate T-Shape	Plate T-Shape	Plate T-Shape
	Swivel (Left/Right)	N/A	N/A	N/A
Dimension	Set Dimension with Stand (WxHxD) (mm)	917.7 * 582.2 * 241.6	1087.1 * 676.8 * 254.6	1242.6 * 763.4 * 267.5
	Set Dimension without Stand - Wall Mount Side (WxHxD) (mm)	917.7 * 535.7 * 49.5	1087.1 * 630.9 * 50.2	1242.6 * 718.4 * 50.1
	Set Dimension without Stand - Speaker Side (WxHxD) (mm)	917.7 * 535.7 * 62.6	1087.1 * 630.9 * 63.3	1242.6 * 718.4 * 63.2
Weight	Set Weight with Stand (kg)	9.4	13.6	17.3
	Set Weight without Stand (kg)	7.7	11.4	15
	Package Weight (kg)	11	15.9	21.4
Accessory	Remote Controller Model	TM1240	TM1240	TM1240
	Remote Controller Model	Yes	Yes	Yes
	Battery (for Remote Control)	Yes	Yes	Yes
	Vesa Wall Mount Support	Yes	Yes	Yes
	Power Cable	Yes	Yes	Yes
	Quick Install Guide	Yes	Yes	Yes
	Data Cable	No	No	No
	Stand Mount Kit	No	No	No
	Security Screws	No	No	No

Legal and additional information

About Samsung Electronics Co., Ltd.

Samsung Electronics Co., Ltd. inspires the world and shapes the future with transformative ideas and technologies, redefining the worlds of TVs, smartphones, wearable devices, tablets, cameras, digital appliances, printers, medical equipment, network systems, and semiconductor and LED solutions. We are also leading in the Internet of Things space through, among others, our Smart Home and Digital Health initiatives. We employ 307,000 people across 84 countries with annual sales of US \$196 billion. To discover more, please visit our official website at www.samsung.com and our official blog at global.samsungtomorrow.com

For more information

For more information about Samsung UHD Hospitality Displays, visit www.samsung.com/business or www.samsung.com/displaysolutions.



Scan this code with your Smart Phone to download our Mobile Brochure App.

Copyright © 2015 Samsung Electronics Co., Ltd. All rights reserved. Samsung, LYNK SINC, LYNK REACH, LYNK DRM and ConnectShare are either trademarks or registered trademarks of Samsung Electronics Co., Ltd. Specifications and designs are subject to change without notice. Nonmetric weights and measurements are approximate. All data were deemed correct at time of creation. Samsung is not liable for errors or omissions. All brand, product, service names and logos are trademarks and/or registered trademarks of their respective owners and are hereby recognized and acknowledged.

DTS and DTS 2.0 + Digital Out are registered trademarks and the DTS logos and Symbol are trademarks of DTS, Inc.

DLNA®, the DLNA Logo and DLNA CERTIFIED® are trademarks, service marks, or certification marks of the Digital Living Network Alliance.

Pro:Idiom is a registered trademark of Zenith Electronics LLC.

Dolby and Dolby Digital Plus and the double-D symbol are trademarks or registered trademarks of Dolby Laboratories.

HDMI, the HDMI logo, and High-Definition Multimedia Interface are trademarks or registered trademarks of HDMI Licensing, LLC in the United States and/or other countries.

Smovie is a registered trademark of Quadriga Worldwide Ltd.

Samsung Electronics Co., Ltd.
129 Samsung-ro,
Yeongtong-gu,
Suwon-si, Gyeonggi-do 443-742,
Korea

www.samsung.com

2015-05